



# STAYER

- ES** Manual de instrucciones
- IT** Istruzioni d'uso
- GB** Operating instructions
- DE** Bedienungsanleitung
- FR** Instructions d'emploi
- P** Manual de instruções

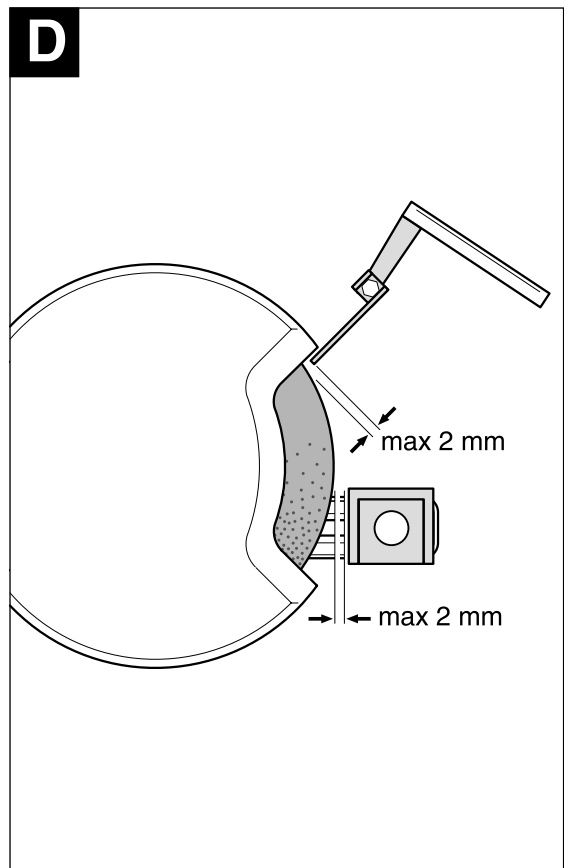
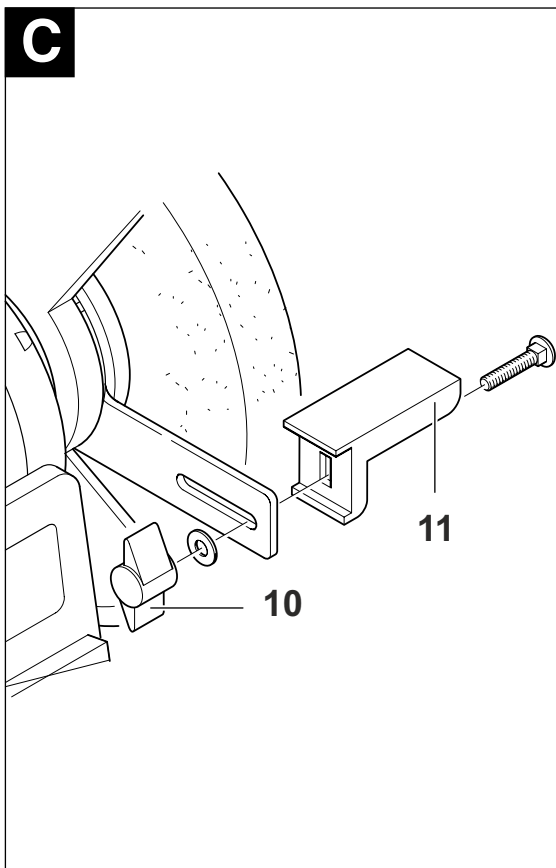
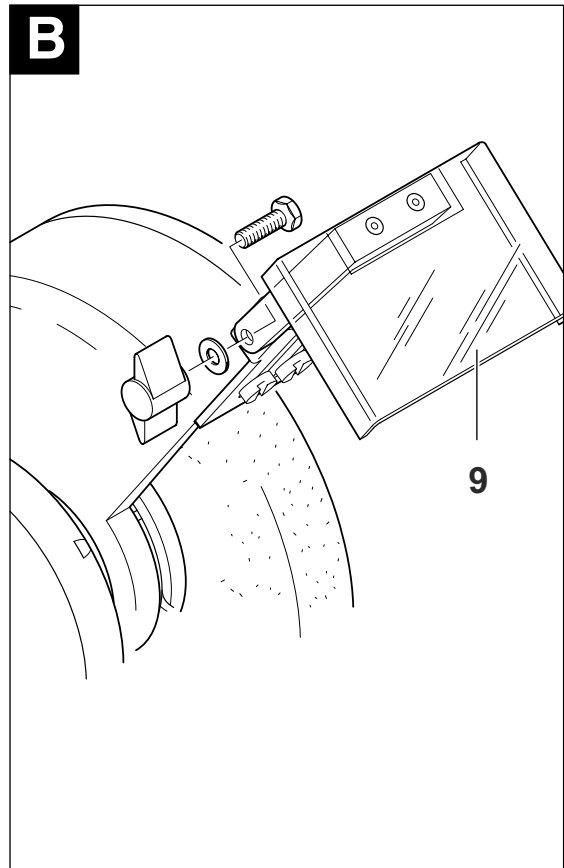
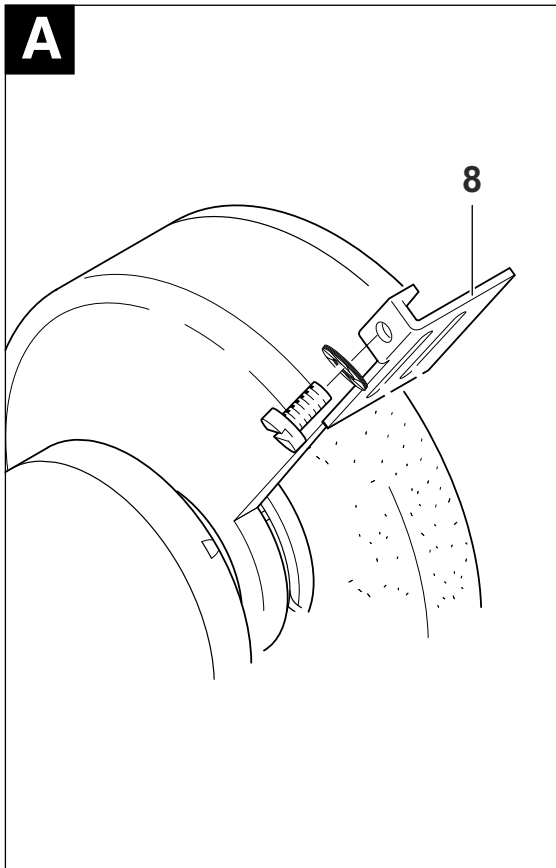
**E150B**  
**EP150B / EP200B**  
**ECP150B**  
**ECA150B**  
**ECL150B**

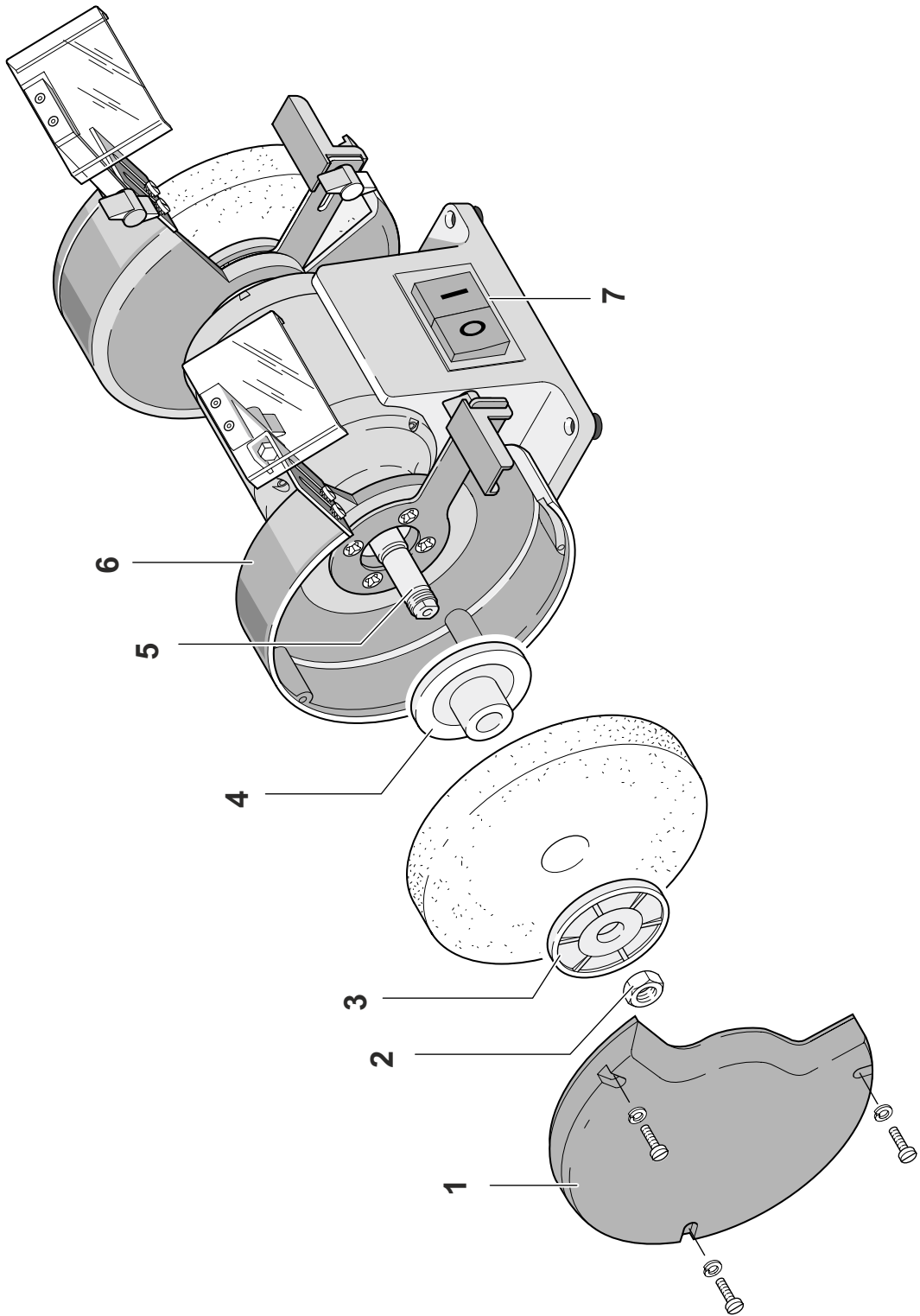


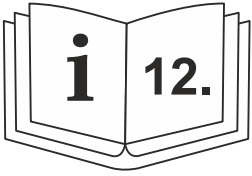
## STAYER

Área Empresarial Andalucía - Sector I  
Calle Sierra de Cazorla n°7  
C.P: 28320 Pinto (Madrid) SPAIN  
Email: sales@grupostayer.com  
Email: info@grupostayer.com

[www.grupostayer.com](http://www.grupostayer.com)







		<b>E150B</b>	<b>ECP150B</b>	<b>ECA150B</b>	<b>ECL150B</b>
$P_1$	<b>W</b>	150	350	350	350
$n_0$	<b>min<sup>-1</sup></b>	2950	2950	2950	2950
$\emptyset$	<b>mm</b>	150 x 16 x 12,7	150 x 20 x 12,7	150 x 20 x 12,7	150 x 20 x 12,7
<b>m</b>	<b>kg</b>	5.7	7	8.5	10
$L_{WA}$	<b>dB(A)</b>	74	74	74	74
$L_{pA}$	<b>dB(A)</b>	66	66	66	66

		<b>EP150B</b>	<b>EP200B</b>
$p_1$	<b>W</b>	250	350
$n_0$	<b>min<sup>-1</sup></b>	2950	2950
$\emptyset$	<b>mm</b>	150 x 20 x 12.7	200 x 20 x 16
<b>m</b>	<b>kg</b>	7	11.5
$L_{WA}$	<b>dB(A)</b>	68	74
$L_{pA}$	<b>dB(A)</b>	58	66

This manual is consistent with the date of manufacture of your machine, you will find information on the technical data of the machine acquired manual check for updates of our machines on the website: [www.grupostayer.com](http://www.grupostayer.com)

## 1.- Intended Use

The machine is intended for sharpening of tools as well as for grinding and deburring metal.

## 2.- For Your Safety



Working safely with this machine is possible only when the operating and safety information are read completely and the instructions contained therein are strictly followed.

In addition, the general safety notes in the enclosed booklet must be observed. Before using for the first time, ask for a practical demonstration.

Wear safety goggles. When necessary, also wear an apron. For long hair, wear hair protection. Work only with closely fitting clothes.



Wear protective glasses. If required, also wear an apron. If you have long hair, wear hair adequate protection. Working only fitting clothes



Keep hands away from the grinding wheel during operation of the machine. Danger of injury when touching the grinding discs.



Wear protective gloves

- If the mains cable is damaged or cut through while working, do not touch the cable but immediately pull the mains plug. Never use the machine with a damaged cable.
- The machine may be connected only to properly earthed mains. The socket and extension cable must have a functional protective conductor.
- The machine must be operated only with the appropriate protective devices
- Use only grinding wheels with an allowable speed that is at least twice as high as the load speed of the machine.
- Check the grinding wheels before use. The grinding wheels must be mounted properly and be able to rotate freely. Carry out a test run without load for at least 5 minutes. Do not use damaged, out of round or vibrating grinding wheels.
- Do not work with materials containing asbestos.
- Regularly check the clearances between tool rest 11 and wheel guard 8 to the grinding wheel and readjust, if required. The clearances to the grinding wheel must not exceed 2 mm.

- For grinding, lower the spark guard 9 as far as possible
- Apply the workpiece/tool only to the rotating grinding wheel.
- Never apply workpiece/tool sideways against the rotating grinding wheel, but grind only from the front.
- Never reach into the rotating grinding wheel.
- Do not brake the grinding wheel by applying sideward pressure to it.
- When grinding metal, flying sparks are produced. Take care that no persons are endangered. Due to danger of fire, no combustible materials should be located in the vicinity (spark flight zone).
- Never allow children to use the machine
- Stayer is only able to ensure perfect operation of the machine if the original accessories intended for it are used.

## 3.- Machine Elements

- 1 Protective cover
- 2 Clamping nut
- 3 Clamping flange
- 4 Mounting flange
- 5 Grinder spindle with spanner surfaces
- 6 Protective hood
- 7 On/Off switch
- 8 Protective lens holder
- 9 Protective Lens
- 10 Winged nut
- 11 Tool rest

**Not all of the accessories illustrated or described are included as standard delivery.**

## 4.- Mounting

### Guard plate/Spark shield

Attach wheel guard 8 as shown in Figure A, spark guard 9 as shown in Figure B.

**The distance between the grinding wheel and guard plate must not exceed 2 mm. It must be adjusted regularly to this dimension (Figure D).** If the grinding wheel is worn down to the point where the wheel guard 8 can no longer be adjusted to this distance, the grinding wheel must be replaced as soon as the distance reaches 5 mm.

### Tool rest

Mount tool rest 11 as shown in Figure C. The clearance between the grinding wheel and the tool rest 11 must not be greater than 2 mm (Figure D).

Attach the machine to the work bench

## 5.- Initial Operation

Observe correct mains voltage: The voltage of the power source must agree with the voltage specified on the name plate of the machine. Equipment marked with 230 V can also be connected to 220 V.

**Switching on:** On/Off switch **7** to position **I**.

**Switching off:** On/Off switch **7** to position **O**.

**Test run:** Before using for the first time, run machine for at least 5 minutes without load. Dress a new grinding wheel with a dressing stone.

## 6.- Grinding Wheel Replacement

### Pull the plug from the socket.

Loosen the **3** screws of the protective cover **1** and remove the protective cover. Unscrew the clamping nut **2** while holding the grinder spindle **5** with an open ended spanner on the spanner surfaces of the respective side.



**Caution: Grinder spindle 5 has left-handed threads on the left side!**

Remove clamping flange **3** and grinding wheel.

The mounting of the new grinding wheel is performed in the reverse order. Press the protective cover **1** on firmly and tighten the screws.

### Testing new grinding wheels

### Use only original Stayer grinding wheels!

Damage to the original packaging could indicate defects. Check before mounting that the grinding wheel is free of damage.

**The maximum allowable RPM of the grinding wheels used must at least correspond to the maximum no-load RPM of the machine.**

**Test run new grinding wheels at least 5 minutes and then dress with the dressing stone (accessory).**

**Dress used, out of round grinding wheels with the dressing stone (accessory) before continuing to use.**

## 7.- Operating Instructions

Lay the workpiece to be ground on the toolrest **11** and press lightly against the grinding wheel. To achieve optimal grinding results, move the workpiece lightly back and forth. This also contributes to uniform wear of the grinding wheel.

Cool the workpiece in water from time to time.

For grinding hard metal workpieces, use silicon carbide C grinding wheels (accessory).

Protect the grinding tool from impact, shock and grease.

**Do not work with materials containing asbestos.**

## 8.- Maintenance and Cleaning

Before any work on the machine itself, pull the mains plug.

### Always keep the machine clean.

If the machine should fail despite the care taken in manufacturing and testing procedures, repair should be carried out by an aftersales service centre for Stayer power tools.

In all correspondence and spare parts orders, please always include order number given on the name plate of the machine.

**WARNING!** This appliance must be earthed.

## 9.- Repair Service

The technical service will provide you advice regarding questions you may have on the repair and maintenance of your product as well as on spare parts. You may also obtain exploded views and information on spare parts on the internet under:

**info@grupostayer.com**

Our team of technical advisors will be glad to guide you regarding acquisition, application and adjustment of products and accessories.

## 10. Guarantee

### Guarantee card

Included in the documentation that accompanies this equipment, you should find the warranty card. You should fill out the card completely and return to vendor with a copy of purchasing receipt or invoice and you should receive a receipt.

**Note: If you cannot find the warranty card within the documentation, you must ask for it through your supplier.**

The warranty is limited only to manufacturing defects and expire if pieces have been removed o

## 11.- Disposal

The machine, accessories and packaging should be sorted for environmental-friendly recycling.

### Only for EC countries:

Do not dispose of power tools into household waste!



According the European Guideline 2002/96/EC for Waste Electrical and Electronic Equipment and its implementation into national right, power tools that are no longer usable must be collected separately and disposed of in an environmentally correct manner.

## 12. - Technical Features

$P_1$	= Power
$n_0$	= Drafts in vacuum
$\emptyset$	= Wheel dimensions
$m$	= Mass
$L_{WA}$	= Acoustic pressure level
$L_{pA}$	= Acoustic power level

Valori determinati 61029. El livello di secondo EN pressione sound, typical, misurato a di-type filter, è nella tabella delle caratteristiche. Il livello di rumore, with può il lavoro macchina during superare gli 85 dB (A).



**Wear hearing protection!**

### **13.- Declaration of Conformity**

---

The undersigned: STAYER IBÉRICA, S.A.

With address at:

Calle Sierra de Cazorla, 7  
Área Empresarial Andalucía - Sector 1  
28320 PINTO (MADRID)  
Tel.: +34 91 691 85 16 / Fax: +34 91 691 91 72

### **CERTIFIES**

That the machine:

Type: Grinders

Model: **EP150B - EP200B**  
**E150B - ECP150B - ECA150B**  
**ECL150B**

We declare under our own responsibility that the product as described under "Technical data" is in conformity with the following standards or standardized documents:

EN 61029-1, EN 61029-2-4 in accordance with the provisions in regulations 2006/42/CE, 2014/30/EU, 2011/65/UE.

Ramiro de la Fuente  
Managing Director  
January 5, 2017




**STAYER**

Área Empresarial Andalucía - Sector I  
Calle Sierra de Cazorla nº7  
C.P: 28320 Pinto (Madrid) SPAIN  
Email: [sales@grupostayer.com](mailto:sales@grupostayer.com)  
Email: [info@grupostayer.com](mailto:info@grupostayer.com)



[www.grupostayer.com](http://www.grupostayer.com)