



STAYER

- ES** Manual de instrucciones
- IT** Istruzioni d'uso
- GB** Operating instructions
- FR** Instructions d'emploi
- P** Manual de instruções
- PL** Instrukcja obsługi

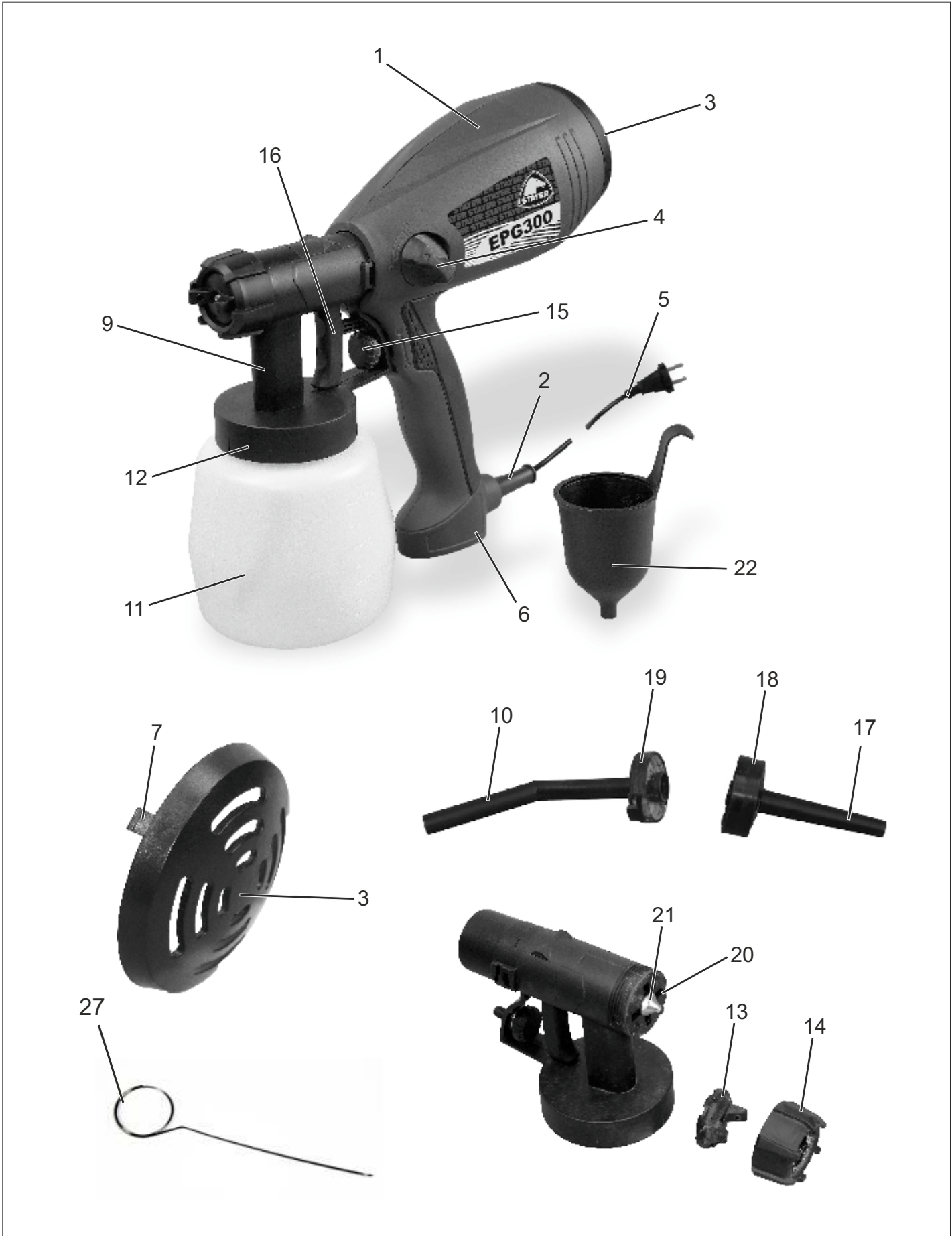
EPG300 EPG700

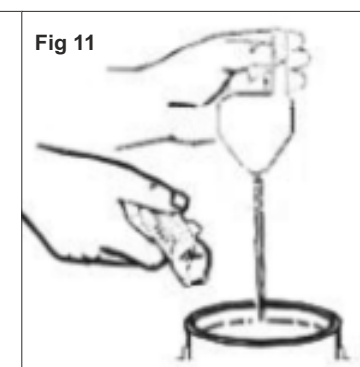
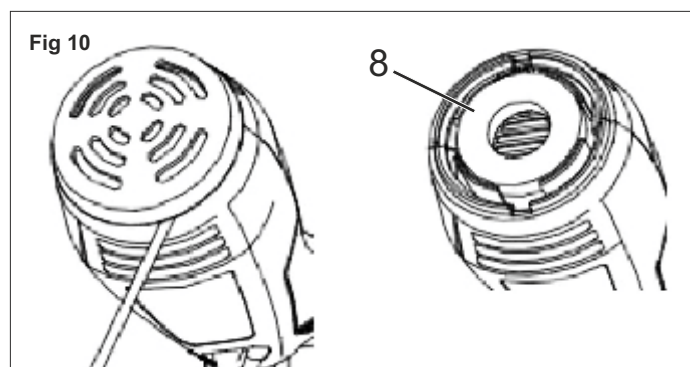
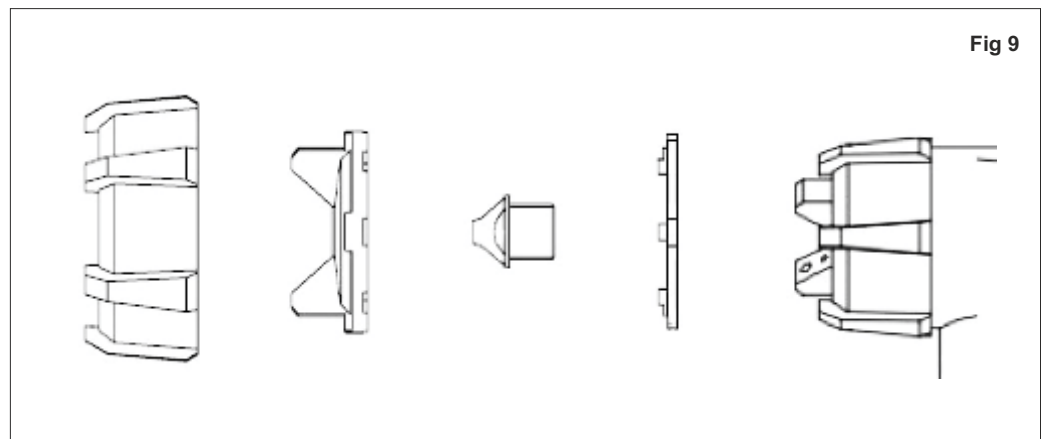
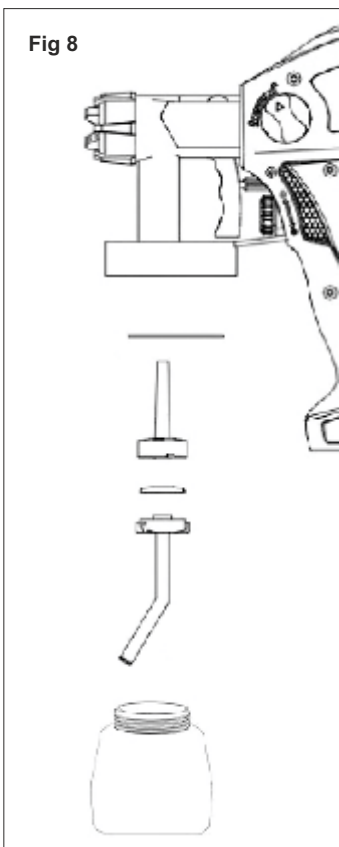
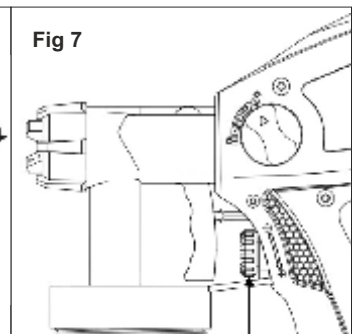
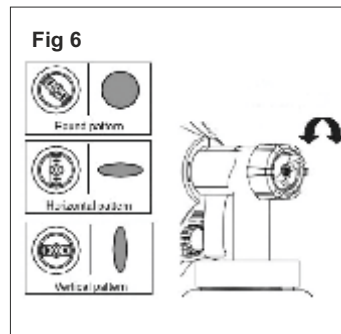
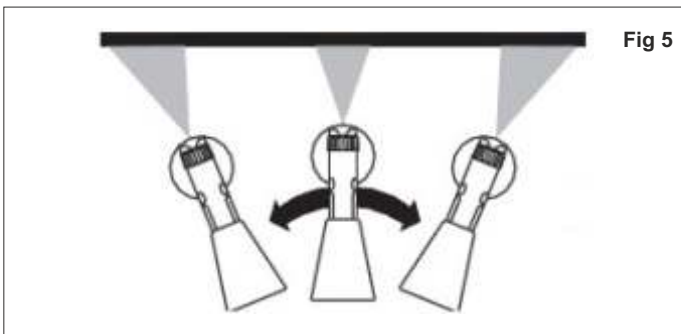
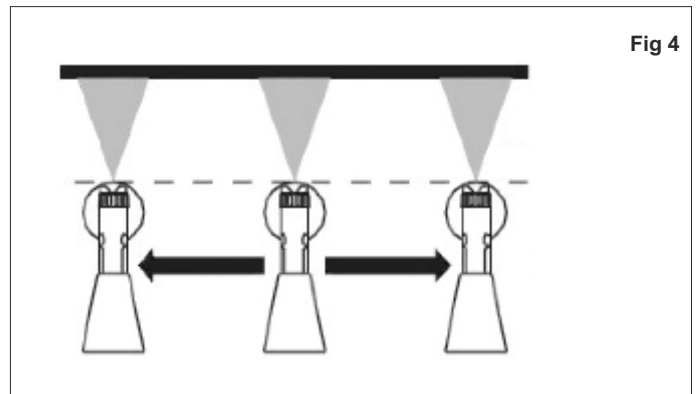
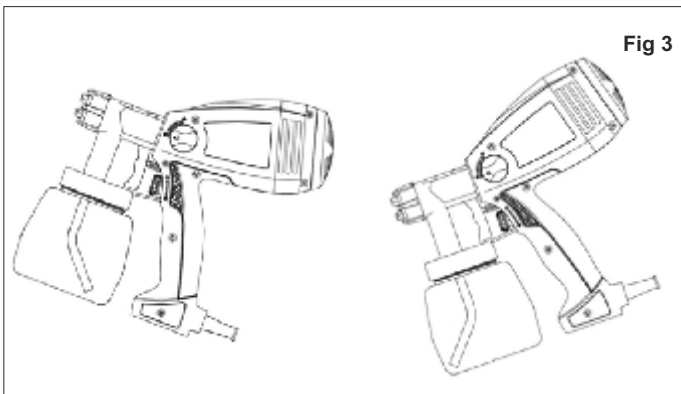
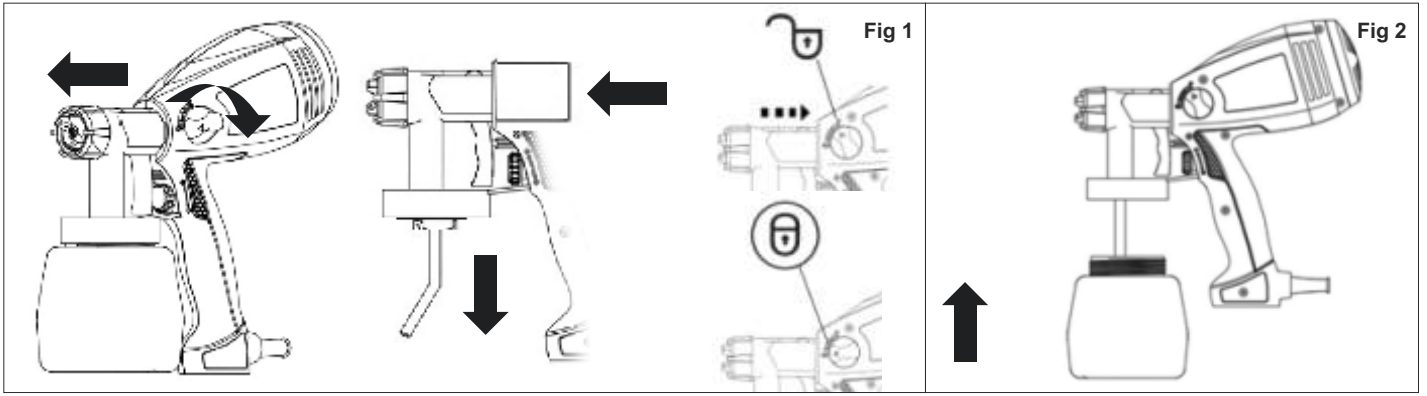


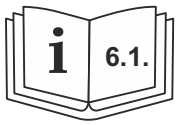
STAYER






Área Empresarial Andalucía - Sector I
Calle Sierra de Cazorla n°7
C.P: 28320 Pinto (Madrid) SPAIN
Email: sales@grupostayer.com
Email: info@grupostayer.com

www.grupostayer.com







		EPG300	EPG700
P_1	<i>W</i>	400	700
C_1	<i>g/min</i>	300	300
	<i>ml</i>	800	800
Nmax	<i>Din-S</i>	30	50
	<i>Kg</i>	1.47	4,5
		II	II
 K=3 dB	L_{WA}	96.1	95
	L_{PA}	85.1	80
 K=1.5 dB	<i>a_h</i>	0.7 m/s ²	2,5 m/s ²

This manual is consistent with the date of manufacture of your machine, you will find information on the technical data of the machine acquired manual check for updates of our machines in the web-page: www.grupostayer.com

Thank you very much for acquiring a STAYER product!
We congratulate you for having elected a STAYER Electric spray gun. We are sure that this modern tool will fully comply with your expectations.

The power tool is intended for atomising solvent-based and water-dilutable paints, finishes, primers, clear finishes, automotive finishes, staining sealers, wood sealer-preservatives, plant protectives, oil and disinfection agents.



To ensure proper operation and performance of your new EPG300, and to safeguard its own security, it is imperative that you read this instruction manual carefully before using the tool.



Be especially careful to observe all safety precautions! Failure to observe these precautions may result in serious injury or even death!

packaging



STAYER Paint Your Gun will be delivered in a protective cardboard box to prevent damage during transport.



Cardboard is a basic raw material and, therefore, reusable and suitable for recycling (waste paper recycling).

1. Contents

	page
2. Specific safety instructions	13
3. Instructions for use	14
3.1 Placement Tool.....	14
3.2 Assembly.....	14
3.3 Electrical connection.....	14
3.4 Illustrated description.....	14
4. Operating instructions	14
4.1 Placement and testing.....	14
4.2 Adjustment operation.....	15
4.3 Correction of Malfunctions.....	15
5. Maintenance and service instructions	15
5.1 Cleaning.....	15
5.2 Repair service.....	15
5.3 Warranty.....	16
5.4 Disposal and recycling.....	16
6. Regulations	16
6.1 Technical Data.....	16
6.2 EU declaration of conformity.....	16

2. Specific safety instructions



Read all safety warnings, instructions including Material.
Workplace safety

- **Keep area clean well lit and free of paint or solvent containers, rags, and other flammable materials.** Spontaneous combustion may occur. Fire extinguisher equipment shall be present and working at all times.
- **Provide for good ventilation in the spraying area and for sufficient fresh air in the complete room.** Evaporating inflammable solvents create an explosive environment.
- **Do not use materials with a flashpoint below 21 °C for spraying and cleaning. Use water-based materials, non-volatile hydrocarbons or similar materials.** Fast evaporating solvents create an explosive environment.
- **Do not spray in the vicinity of ignition sources, such as static electricity sparks, open flames, pilot lights, hot objects, engines/motors, cigarettes and sparks from plugging in or unplugging power cords or operating switches.** Such spark sources can ignite the spraying vicinity/environment.
- **Do not spray any liquid of unknown hazard potential.** Unknown materials can create hazardous conditions.

Personal safety

- **Wear additional protective equipment such as appropriate protective gloves and protective masks or respirators when spraying or handling chemicals.** Wearing protective equipment for the appropriate conditions reduces the exposure to hazardous substances.



- **Never point the spray jet against yourself, towards other persons or animals. Keep your hands and other body parts away from the spray jet. If the spray jet should penetrate the skin, seek medical attention immediately from a doctor.** The material being sprayed can even penetrate the skin through a glove and be injected into your body.
- **Do not treat injection as a simple cut.** Highpressure spray is able to inject toxins into the body and cause serious bodily injury. In the event that injection occurs, seek medical attention immediately.
- **Be aware of possible hazards from the spray material. Observe the information on drums/tanks/tins as well as manufacturer information of the spray material, including the request to wear personal protective equipment.** The manufacturer's instructions are to be observed in order to reduce the risk of fire as well as injuries caused through toxins, carcinogens, etc.

Use and Handling of the Power Tool

- **Use only nozzles/nozzle inserts specified by the manufacturer. Never spray without the nozzle protection mounted.** Use of a special nozzle insert with the corresponding nozzle protection reduces the probability that a high-pressure jet penetrates the skin

and injects toxins into the body.

- **Exercise caution when cleaning and changing nozzle inserts. If the nozzle insert should become clogged during spraying, follow the manufacturer's instructions for switching off the system and relieving the pressure before removing the nozzle.** Fluids under high pressure can penetrate the skin, inject toxins into the body and lead to serious injury.
- **Keep the plug of the mains cord and the trigger switch of the spray gun clear of paint and other fluids. Never hold the cord by its connectors to support it.** Failure to follow the instruction can lead to electric shock.

3. Instructions for use

3.1 Placement Tool

Read all safety warnings and all instructions. Failure to follow the warnings and instructions may result in electric shock, fire and/or serious injury.



To get started, place the machines in a clean and stable, begin by preparing the material to be sprayed, taking into account this point, because if not well prepared to hand the material, the machine will not work in conditions optimal.

3.2 Assembly (Fig.1)


Before any work on the machine itself, pull the mains plug.

Mounting the Spray Gun and the Electrical Unit.

Connecting the Electrical Unit with the Spray Gun.(EPG300)

- Insert the spray gun **9** onto the electrical unit **1** until it can be heard to engage.
- It should be noted that SD 4 moths found on the sides of the gun should be positioned . Then return to the position  moths and make sure that the spray gun is secure.

Removing the Electrical Unit

- Turn the two red SDS release buttons  and pull the spray gun **9** out of the electrical unit.

1-MOUNT (EPG700)

-Connect one end of the air hose 23:

-One end of the device to paint 24 by turning in counterclockwise to clockwise.

-The other end of the air hose (23) connected to the air outlet 26 of the trolley 25 to secure the hose to turn it counterclockwise to clockwise.

Warning: Any position of the hose 23 can be chosen to connect both the spray gun, as in the trolley Note, the arrows drawn on the edges of the hose 23, to connect properly.

To remove the air hose 23, turn knob clockwise until placed in the position of the indicator arrow and pull

the hose to remove.

When the device is turned on the air continuously flow from the air cap.

3.3 Electrical connection

- Plug the mains plug into a socket outlet.
- Grasp the power tool and point it at the spray surface. The power tool is equipped with a two-step trigger switch **16**. The first step starts the turbine. The second step transports the spraying material.
- Pull the trigger switch **16** until spraying material starts to come out.
- Switching Off** - Release the trigger switch **16**.
- Pull the mains plug from the socket outlet.

3.4 Illustrated description

The fan motor causes a flow of air flowing through the air hose 23 to the spray gun. The air flow is atomized coating material on the nozzle 20 and pressurized vessel 11. This pressure forces the coating material through the riser pipe to the nozzle 20. The adjustment of air and pressure can be adjusted progressively. (Fig. 4-5-6).

- 1 Electrical unit
- 2 Cable clamp
- 3 Air filter cover
- 4 SDS release button*
- 5 Mains cable
- 6 Base/foot*
- 7 Hooks for air-filter cover
- 8 Air filter
- 9 Spray gun
- 10 Suction tube with container seal
- 11 Container for spray material, 800 ml
- 12 Vent cover
- 13 Diffuser
- 14 Clamp nut
- 15 Thumbwheel for spraying capacity
- 16 Trigger switch
- 17 Air outlet
- 18 Venting valve*
- 19 Membrane*
- 20 Nozzle*
- 21 Nozzle seal*
- 22 Measuring cup
- 23 Air Hose*
- 24 Air intake
- 25 Trolley*
- 26 Out of air
- 27 Cleaning needle*

* The accessories illustrated or described are not attached to the material standard. The full range of accessories can be found in our accessories program.

4. Operating instructions

Observe correct mains voltage! The voltage of the power source must agree with the voltage specified on the nameplate of the machine. Power tools marked with 230 V can also be operated with 220 V. Pay attention that the power tool cannot draw in dust or other contamination during operation.

4.1 Placement and testing (Fig.2-3)

 **Observe the wind direction when operating the power tool outdoors.**

– Firstly, carry out a test-spray run and adjust the spray pattern and the spray material quantity according to the spray material. (For adjustments, see the following sections)

– Make sure to hold the spray gun vertical to the spray object at a uniform clearance between 5–15 cm.

– Begin the spraying procedure outside the target area.

– Move the spray gun evenly cross-wise or up-and-down, depending on the spray pattern setting. An even surface quality is achieved when the paths overlap by 4 – 5 cm.

– Avoid interruptions inside the target area.

An even movement of the spray gun results in an even surface quality. Non-uniform clearance and spray angle lead to heavy formation of paint mist and thus to an uneven surface.

– End the spraying procedure outside the target area.

Never spray the container completely empty. When the suction tube no longer immerses in the spray material, the spray jet will break off, resulting in a non-uniform surface. When coating material builds up on the nozzle and air cap, clean both parts with the corresponding solvent.

Only place down the power tool on a level and clean surface so that it can not tip over.

Adjusting the Spray Pattern (fig. 4-5-6)

Never actuate the trigger switch 16 while adjusting the air cap 13-14.

– Loosen the union nut 14.

– Turn the air cap 13 to the requested position.

– Firmly retighten the union nut 14.

4.2 Adjustment operation (Fig.7)

Preparing for Operation

Spraying on the sides of water bodies (lakes, rivers, etc.) or neighbouring surfaces in the direct catchment area is not permitted.

When purchasing paint, varnish and spray material, pay attention to their environmental compatibility.

Preparing the Spray Surface

 **Cover off the vicinity of the spray surface thoroughly and generously.**

The spray mist contaminates the environment. When spraying in enclosures, surfaces not covered can become contaminated. The spray surface must be clean, dry and grease-free.

– Roughen smooth surfaces and then remove the sanding dust.

Preparation of material (fig.11)

1. Mix the material well before measuring viscosity.

2. Completely submerge the cup viscometers, in the material to be sprayed.

3. Hold the cup test and measure time in seconds until all the liquid is emptied and this corresponds to time (seconds) depending on the material supplied as appropriate, in the following table.

Table Preparation of material:

Material	Time (sec)
Oil Painting	25-40
Oil Primer	30-45
Coating	20-50

4.3 Correction of Malfunctions

See table page 17 and 18

5. Maintenance and service instructions

 **Before any work on the machine itself, pull the mains plug.**

5.1 Cleaning (Fig.9)

Never immerse the electrical unit into solvent or water.
Clean the housing using only a moist cloth.

Proper cleaning is the requirement for flawless operation of the spray gun. Improper or lack of cleaning voids warranty claims.

Always clean the spray gun and the container with the respective diluting agent (paint thinner or water) for the spray material being used.

Never clean the nozzle and air holes of the spray gun with pointed metal objects. Do not pour diluted spray material back into the original spray material drum/tin for storage.

Clean the spray gun thoroughly after having sprayed material hazardous to one's health.

– Unplug the mains plug and pull the trigger switch 16 so that the spraying material can flow back into the container.

– Remove the electrical unit.

– Unscrew the container 11 and empty the remaining spray material.

– Fill diluting agent (paint thinner or water) into the container and screw it to the spray gun.

– Shake the spray gun several times.

– Connect the spray gun to the electrical unit again.

– Plug the mains plug into a socket outlet, pull the trigger switch and spray the diluting agent into an empty material tin.

– Repeat the process until clear diluting agent emerges from the spray gun.

Unplug the mains plug and remove the electrical unit.

- Completely empty the container **11**.
- Check if the suction tube with the container seal is free of spray material and undamaged.
- Clean the outside of the container and the spray gun with a cloth moistened in paint thinner.
- Unscrew the union nut **14** and the air cap **13**.
- Clean the nozzle **20** and the nozzle needle with diluting agent.

From time to time, the nozzle seal 21 must also be cleaned.

- Mount the air cap **13** onto the nozzle and tighten with the union nut **14**.

Changing the Air Filter (Fig.10)



Never operate the power tool without the air filter. Without the air filter, dirt/contamination can be drawn in and can influence the operation of the power tool.

The air filter must be replaced when soiled.

- Remove the air filter cover **3**, taking into account the **7** hooks that hold the filter cover **3**.
- Replace the air filter **8**.
- Reattach the air filter cover and screw in the screw again.

5.2 Repair service

Our after-sales service responds to your questions concerning maintenance and repair of your product as well as spare parts. Exploded views and information on spare parts can also be found under:

info@grupostayer.com

Our customer consultants answer your questions concerning best buy, application and adjustment of products and accessories.

5.3 Warranty

Warranty card

Included in the documentation that accompanies this equipment, you should find the warranty card. You should fill out the card completely and return to vendor with a copy of purchasing receipt or invoice and you should receive a receipt.

Note: If you cannot find the warranty card within the documentation, you must ask for it through your supplier.

The warranty is limited only to manufacturing defects and expire if pieces have been removed or manipulated or repaired other than the manufacturer.

5.4 Disposal and recycling

Material Disposal

Diluting agent and remainders of spray material must be disposed of in an environmentally friendly manner. Observe the manufacturer's disposal information and the local regulations for disposal of hazardous waste.

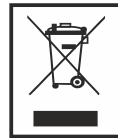
Chemicals harmful to the environment may not be disposed of into soil, groundwater or bodies of water. Never pour chemicals harmful to the environment into the sewerage system!

Product elimination

Spray gun, electrical unit, accessories and packaging should be sorted for environmental-friendly recycling.

Only for EC countries:

Do not dispose of power tools into household waste!








According the European Guideline 2002/96/EC for Waste Electrical and Electronic Equipment and its implementation into national right, power tools that are no longer usable must be collected separately and disposed of in an environmentally correct manner.

Subject to change without notice.

6. Regulations

6.1 Technical Data

P_1	= Power
C_1	= Volume
Pp_1	= Atomising output
	= Required time for 5 m ² paint application
	= Container capacity for spray material
N_{max}	= Maximum level viscosity
	= Weight
	= Protection class
L_{WA}	= Acoustic power level
L_{pA}	= Sound pressure level
	= Vibration

The values given are valid for nominal voltages [U] 230/240 V ~ 50/60 Hz - 110/120 V ~ 60Hz. For lower voltage and models for specific countries, these values can vary. Please observe the article number on the type plate of your machine. The trade names of the individual machines may vary.

6.2 EU declaration of conformity

The undersigned: **STAYER IBERICA, S.A.**

With address at:

Calle Sierra de Cazorla, 7

Área Empresarial Andalucía - Sector 1

28320 PINTO (MADRID)

Tel.: +34 91 691 86 30 / Fax: +34 91 691 86 31

CERTIFIES

That the machine:

Type: **ELECTRIC SPRAY GUN**

Models: **EPG300/EPG700**

We declare under our sole responsibility that this product is in conformity with the following standards or standardized documents: EN 60745-1/A11:2010, EN 50580:2012, EN 55014-1/A2:2011, EN 55014-2/A2:2008, EN 61000-3-2/A2:2009, EN 61000-3-3:2008 according to EU Regulations 2004/108/CE, 2006/42/CE

Ramiro de la Fuente

Managing Director

January 5, 2017

CE  RÖHS

Correction of Malfunctions

Problem	Cause	Corrective Measure
Spray material does not cover properly	Spraying capacity too low	Turning the thumbwheel 15 in direction +
	Clearance to target area too large	Reduce spray distance
	Not enough spray material on target area, too few spray paths sprayed over target area	Apply more spray paths over target area
	Spray material too viscous	Thin down the spray material by 10% again and carry out a test-spray run
Spray material runs off after coating	Too much spray material applied	Turning the thumbwheel 15 in direction -
	Clearance to target area too close	Increase spray distance
	Viscosity of spray material too low	Add original spray material
	Spray material applied too often over same spot	Remove spray material; reduce number of spray paths over same spot
Atomisation too coarse	Spraying capacity too high	Turning the thumbwheel 15 in direction -
	Nozzle 20 soiled	Clean nozzle
	Too little pressure build-up in container 11	Screw container firmly against spray gun
	Spray material too viscous	Thin down the spray material by 10% again and carry out a test-spray run
	Air filter heavily soiled	Changing the Air Filter
Too much fog of coating material	Too much spray material applied	Turning the thumbwheel 15 in direction -
	Clearance to spray surface too large	Reduce spray distance
Spray jet pulsates	Not enough spray material in container	Refill spray material
	Venting hole on suction tube 10 clogged	Clean suction tube and hole
	Air filter heavily soiled	Changing the Air Filter
	Spray material too viscous	Thin down the spray material by 10% again and carry out a test-spray run

Problem	Cause	Corrective Measure
Spray material drips from the nozzle	Build-up of spray material on nozzle 20 and air cap 13	Clean nozzle and air cap
	Nozzle 20 worn	Replace nozzle
	Nozzle 20 loose	Tighten union nut 14
No spray material emerges from the nozzle	Nozzle 20 clogged	Clean nozzle
	Suction tube 10 clogged	Clean suction tube
	Venting hole on suction tube 10 clogged	Clean suction tube and hole
	Suction tube 10 loose	Insert suction tube properly
	No pressure build-up in container 11	Screw container firmly against spray gun
	Spray material too viscous	Thin down the spray material by 10% again and carry out a test-spray run

Maintenance

If the machine should fail despite the care taken in manufacturing and testing procedures, repair should be carried out by an after-sales service centre for STAYER power tools.

In all correspondence and spare parts order, please always include the 10-digit article number given on the type plate of the machine.



STAYER

Área Empresarial Andalucía - Sector I
Calle Sierra de Cazorla nº7
C.P: 28320 Pinto (Madrid) SPAIN
Email: sales@grupostayer.com
Email: info@grupostayer.com



ROHS

www.grupostayer.com