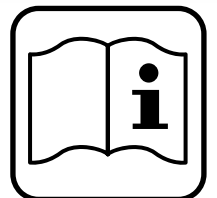




# STAYER

- ES** Manual de instrucciones
- IT** Istruzioni d'uso
- GB** Operating instructions
- FR** Instructions d'emploi
- P** Manual de instruções

## GAS VENTO25

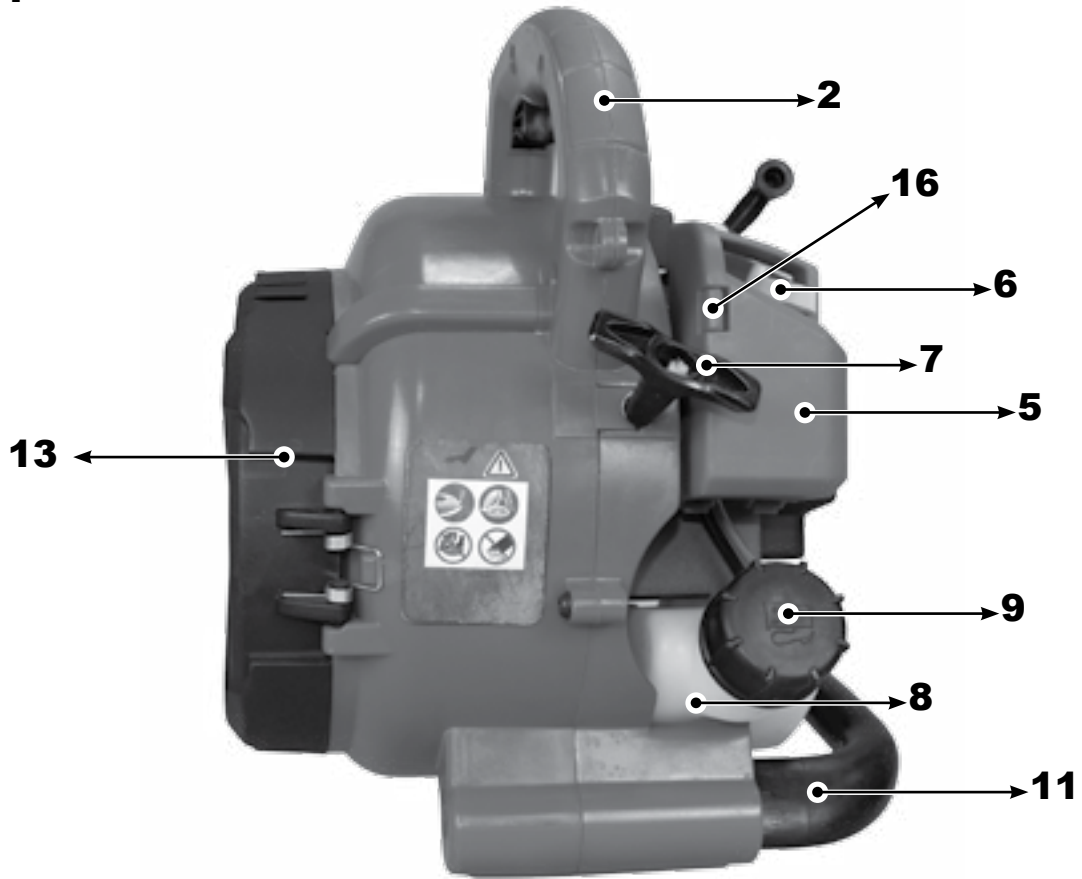


## STAYER

Área Empresarial Andalucía - Sector 1  
C/ Sierra de Cazorra, 7  
28320 - Pinto (Madrid) SPAIN  
Email: [sales@grupostayer.com](mailto:sales@grupostayer.com)  
Email: [info@grupostayer.com](mailto:info@grupostayer.com)

[www.grupostayer.com](http://www.grupostayer.com)

**FIG. 1**



**FIG. 2**

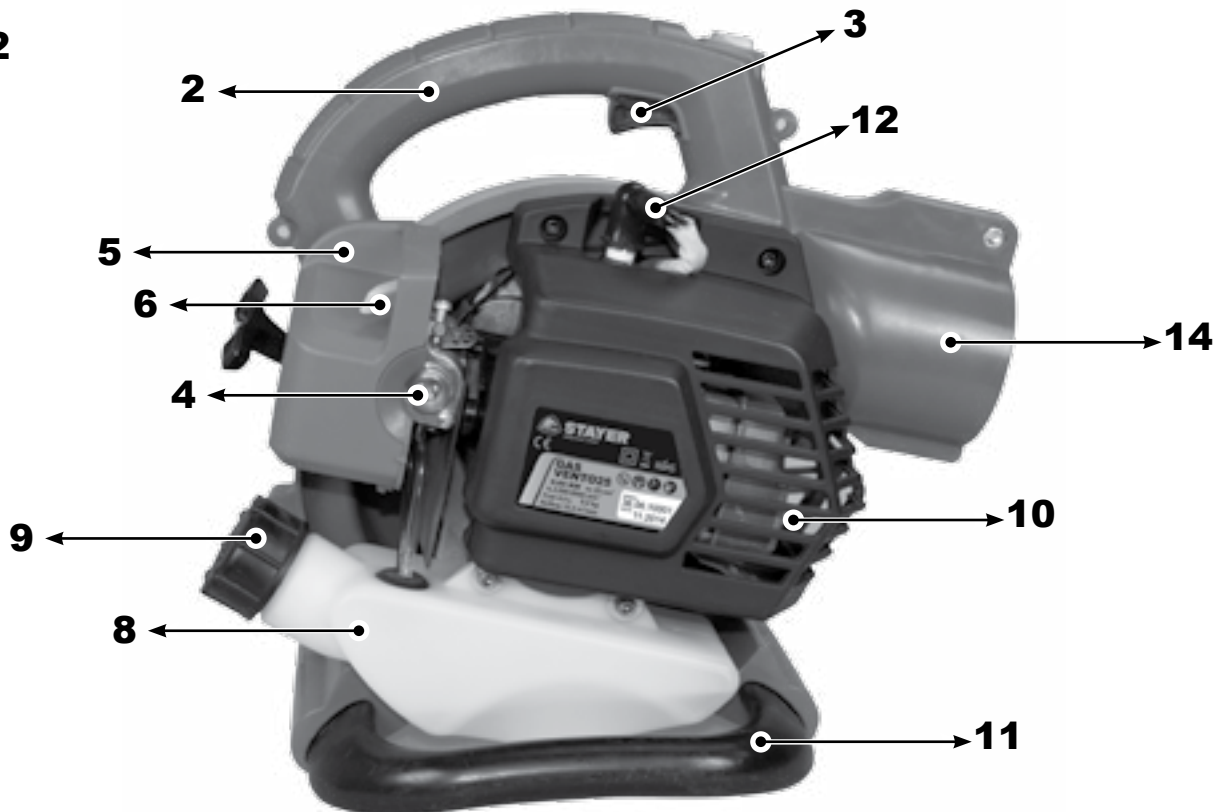


FIG. 3

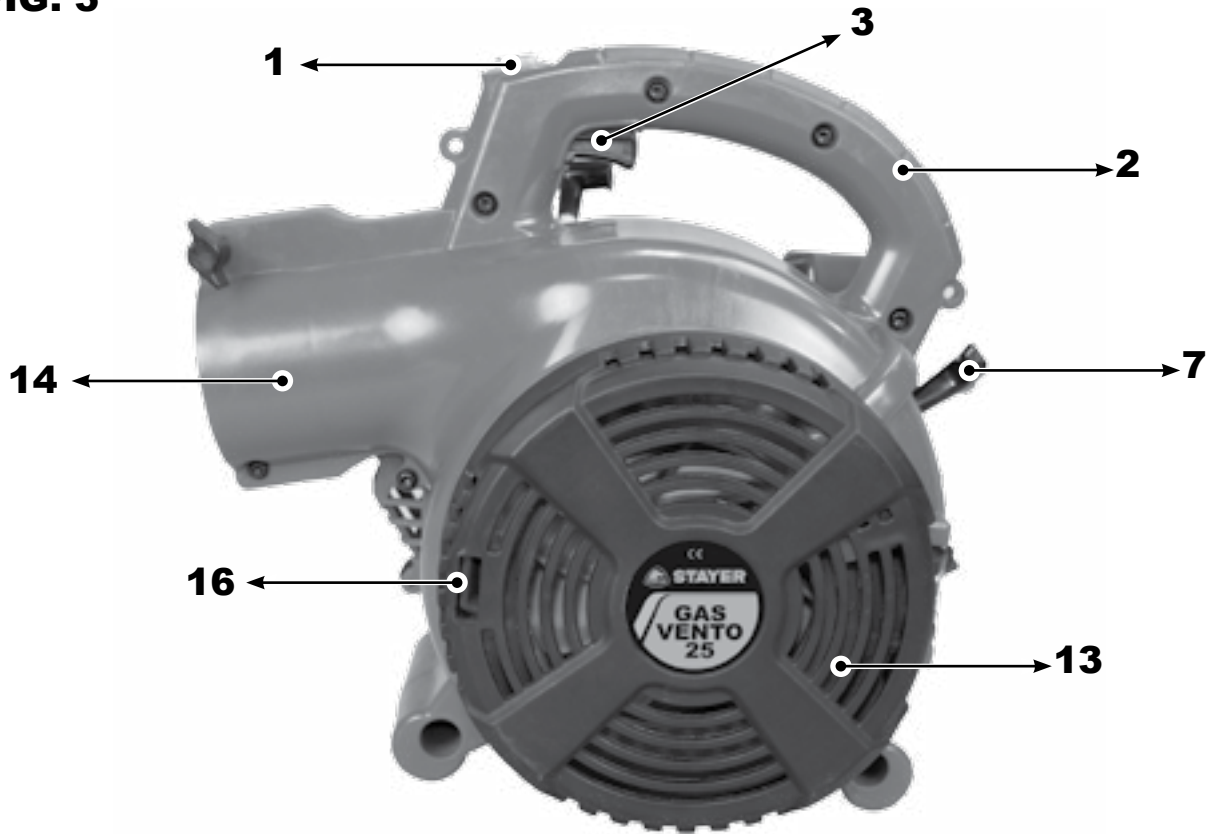
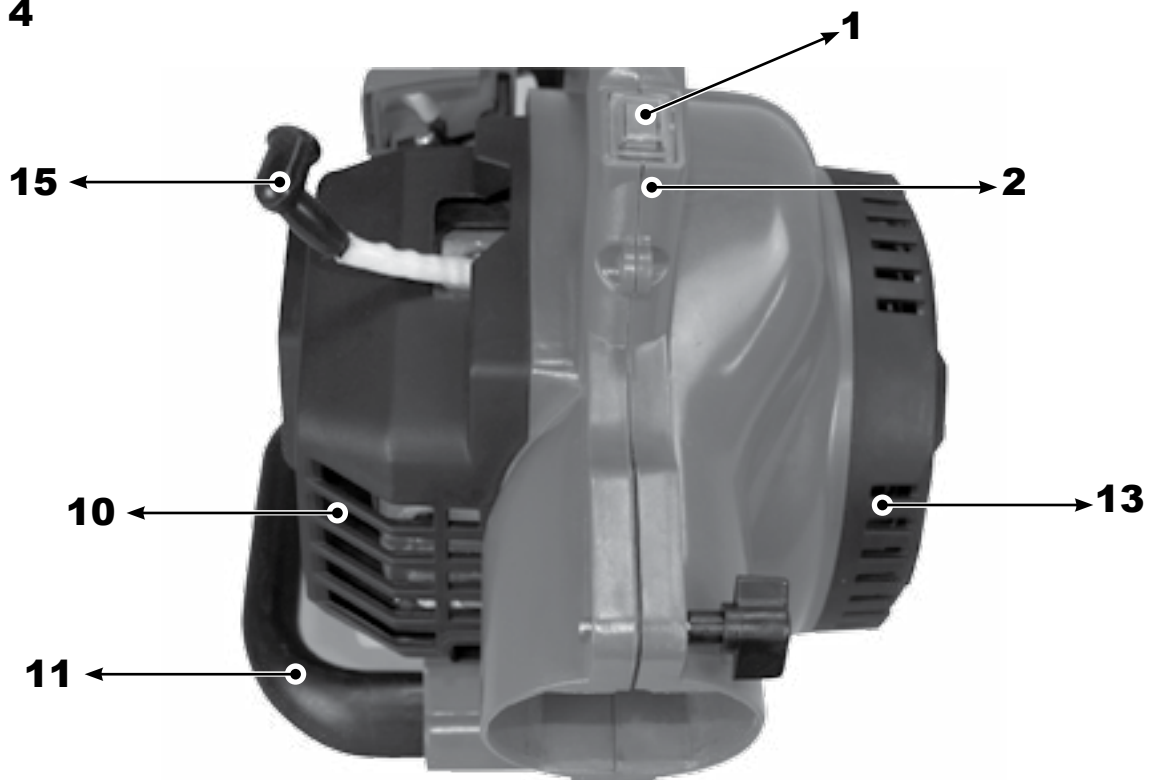




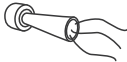







FIG. 4












		<b>GAS VENTO25</b>	
	KW	0.65	
	min <sup>-1</sup>	3000-9000	
<b>C.C.</b>	cm <sup>3</sup>	25	
	m	0.9	
	L	450	
	Km/h	322	
	m <sup>3</sup> /min	12.2	
	L	0.6	
	Kg	2.5	
	K=3db	L <sub>PA</sub> dB(A)	99
		L <sub>WA</sub> dB(A)	107
	K=1.5 m/s <sup>2</sup>	a <sub>h</sub> m/s <sup>2</sup>	4





This manual is consistent with the date of manufacture of your machine, you will find information on the technical data of the machine acquired manual check for updates of our machines on the website: [www.grupostayer.com](http://www.grupostayer.com)

The gasoline operated STAYER suctioning, blowing and shredding device combines the advantages of a most advance design with ergonomic design. They are very light, easy to handle, compact and are a professional material for a wide range of applications. Please read the brochure that refers in detail to different points evidencing its excellent performance. This will help you to achieve the best possible result with you STAYER blower.

**1. Contents**

	page
<b>2. Specific safety instructions</b> .....	<b>17</b>
<b>3. Instructions for use</b> .....	<b>19</b>
3.1 Placement tool .....	19
3.2 Illustrated description.....	19
<b>4. Operating instructions</b> .....	<b>19</b>
4.1.Tuning operations .....	19
<b>5. Maintenance and service instructions</b> .....	<b>20</b>
5.1 Cleaning.....	20
5.2 Air filter.....	20
5.3 Fuel.....	20
5.4 Cleaning and maintenance .....	21
5.5 Repair service.....	21
5.6 Warranty .....	21
5.7 Disposal and recycling.....	21
<b>6. Regulations</b> .....	<b>22</b>
6.1 Technical Data .....	22
6.2 EU declaration of conformity.....	22

-  Warning/danger.
-  Read, understand and follow the Instructions Manual.
-  **Forbidden:**
-  - Do not smoke.
-  - Do not bring close to flames.
-  Protective gloves are to be used.
-  Wear ear protectors!

-  Keep persons and animals out of the working area.
-  Wear eye and ear protection.
-  Fuel (gasoline).
-  Manual start of the motor.
-  Emergency stop.
-  First Aid.
-  Recycling.
-  ON
-  OFF
-  Mutilation of the finger or arm  
Blade of the moving wheel.

**2. Specific safety instructions**

To make sure a correct and safe operation, the user must read, understand and follow this instructions manual to become familiar with the blower. Users who do not inform themselves sufficiently will cause danger to themselves and to others.

**FITNESS FOR SAFETY**

- It is recommended to borrow the blower only to people having shown experience in the use of blowers.
- Always hand over the instructions manual too.
- Those who use the machine for the first time must ask the vendor in respect of the basic instructions to make to make themselves familiar with the handling of a motorized blower.
- Use of the blower by less than 18 years old persons must not be allowed. However, persons over 16 years may use the machine for learning only under the direct supervision of a qualified instructor.
- Use the machine with utmost care and attention.
- Handle the blower only when you are in a good physical condition.
- Perform work calmly and carefully.
- The user must accept his/her responsibility for other persons.
- Do never use the blower after having consumed alcohol or drugs.
- Do never use the blower when you are tired.
- Keep these instructions for future reference.

**CLOTHING SAFETY AND INDIVIDUAL PROTECTION****Pay special attention to the following measures**

- Clothing must be resistant and comfortable, but it must allow a complete freedom of movement. Avoid wide jackets, excessively wide or saggy trousers, scarfs, long loose hair or any other element that may introduce itself into the air inlet.  
Use work overalls and long trousers to protect your legs. Do not wear short trousers.
- The noise of the blower may damage your ear. Wear protectors (earplugs, headsets, etc.) to protect your ear. Regular users must periodically check the condition of their ears.
- Use of gloves when working with the blower is recommended. Good footwear is of great importance. Wear resistant footwear with anti-skid sole.
- An adequate eye protection is mandatory. Although the discharge is not directly directed towards the user, rebounds and bounces may occur when handling the blowing machine.
- Do never use the blower without wearing goggles or adequate eye protectors with frontal and lateral protection that comply with regulation ANSI Z 87.1 (or that applicable in your country).

**USING AND STARTING SAFETY**

- Make sure that there are no children or other persons within a radius of 15 meters and also pay attention to any animal in the proximity of the working area.
  - Before operation, always check that the blower is capable of working safely.
  - Always check the safety of the control lever:
  - Smooth and easy operation of the control lever must be checked.
  - Check that the handle is clean and dry and that the I-O switch operates correctly. Keep the handle free of oil and fuel.
  - Start the blower only in accordance with the instructions.  
Do not use any other method to start the motor!
- Use the blower and tools as delivered only for the applications as established.
- Start the blower only after having completed the mounting of the machine. Operation of the machine is authorized only after all necessary accessories have been placed.
- The motor must be turned off when any motor problem is being detected.
- When working with the blower, you must place your fingers embracing the handle, keeping the control lever held between your thumb and trigger finger.  
Keep your hand in this position to keep the machine under control at any moment. Make sure that the control lever (and holder for accessories of the blower) are in perfect conditions and do not have humidity, oil, grease or tar spots.
- Handle the blower in such a manner that gas inhalation is avoided. Do never start the motor within closed rooms (risk of intoxication and suffocation). Carbon monoxide is an odorless gas. Always make sure that there is a correct ventilation.

- Stop the motor when resting and when leaving the blower unattended. Place it at a safe location to avoid damages to other persons, cause fire with combustible materials or damages to the machine.
- All protective parts and covers as delivered with the machine must be used during operation.
- Never work with a deteriorated exhaust pipe.
- Stop the motor during transportation.
- Position the blower in a secure manner during its transport by car or lorry to avoid that it loses fuel.
- During transport of the blower, make sure that the fuel tank is completely empty.

**SAFETY IN GASOLINE REFUELING**

- Turn the motor off during refueling, keep away from flames and do not smoke.
- Avoid contact of the petroleum derivatives with your skin.
- Do not inhale fuel vapor. Always wear protective gloves during refueling. Change and clean protective clothing at periodic intervals.
- Take the precaution of not spilling fuel or oil to avoid contamination of the soil (protection of the environment). Clean the blower immediately if fuel has been spilled. Let humid clothing dry well before throwing them into a covered container to prevent instantaneous combustion.
- Avoid contact of the fuel with your clothing. Change your clothing immediately when fuel has been spilled (fire hazard).
- Check the fuel lid periodically and make sure that it is firmly attached.
- Carefully tighten the closing lid of the fuel tank. Change your location to start the motor (at least at a distance of 3 meters away from the place of refueling).
- Do not refuel in closed rooms. Fuel vapors accumulate at ground level (explosion hazard).
- Do transport and store fuel only in approved containers. Make sure that stored fuel is out of the range of children.
- Do not try refueling with a hot or operating motor.

**OPERATION SAFETY**

- Use the blower only when light and visibility are good. During cold seasons, take care in humid and slippery areas, ice and snow (hazard of falling).  
Always use safe footwear.
- Never work on little stable surfaces or plots with great slope.
- To reduce the risk of personal damages, do not direct the air stream towards to passers-by, as the high air pressure may injure eyes and launch small objects at a high speed.
- Do never insert any strange object into the air inlet or outlet of the blower. The propeller would become damaged and it may cause serious damage by rejecting the object at high speed.
- Pay attention to the direction of the wind i.e. do not work against the wind.
- To avoid the risk of falling over and losing control, do not walk backwards while working with the machine.
- Always turn off the motor before cleaning or servicing the machine or changing parts thereof.

### 3. Instructions for start up

#### 3.1 Positioning

##### BASICS

- The equipment comes with a suction tube and with an impulsion tube, the first having a larger diameter than the second. Assembling is designed in such a manner that it is impossible to assemble the tubes mistakenly or to insert them mistakenly into the sockets.
- Depending on the use, you may mount the one-segment the two-segment tube by means of the pin connection and the pair of screws thereof.
- As a safety measure, the machine has a sensor that prevents operation when the cover (14) of the suction device is open or the conduct is not installed well.
- Always position the tubes with the motor turned-off.

##### ASSEMBLING THE IMPULSION TUBE

- Insert the tube directly into the socket 14 respecting the upper groove and tighten the fastening wing nut. If you wish, you may mount the deflector terminal to increase the sweeping pressure.

##### ASSEMBLING THE SUCTION TUBE

- Open the lid of the suction socket 13 by smoothly levering with a flat screwdriver at the right of the retainer clip 16.
- Insert the tube in such a manner that the radial projection presses on the safety sensor that is next to the hinge of the lid 14. Once introduced turn leftwards to fasten the tube.
- Assemble the suction bag to the impulsion socket by fitting the upper pin and tightening the fastening wing nut.



**Before carrying out any work at the blower, always stop the motor and separate the spark plug connectors.**



**Always wear protective gloves.**



**Start the blower only after having assembled it completely.**

##### WARNING:

**Do not try to collect large wood shavings, metal, glass, stones, liquids, lighted cigarettes, pyrotechnic products or similar ones.**

Always assemble the tube of the suction device 22 in the correct manner before starting the machine. Operation without the tube of the suction device 22 is dangerous; the propeller may trap your fingers or clothing and cause serious damages.

Do not try to disassemble the tube of the suction device 22 when the machine is operating.

### 3.2 Illustrated description of functions

1. ON/OFF switch.
2. Main handle.
3. Trigger.
4. Priming pump.
5. Air filter cover.
6. Choke lever.
7. Starter knob.
8. Fuel tank.
9. Fuel tank lid.
10. Muffler.
11. Support grip.
12. Sparkplug.
13. Cover of the suction device.
14. Suction device duct.
15. Suction cover clip.
16. Air filter cover clip.

### 4. Operating instructions

##### WARNINGS:

- Do not allow the motor to be started at a place where refueling has been made.
- Exhaust gas is toxic. Do not start the motor at a location without adequate ventilation such as interiors, tunnels, etc.
- Once started, if felt rare in sound, smell, vibration, etc. stop the motor immediately and check it.
- Check that the motor will stop when the stop switch is in position "O".
- When the choke lever is raised higher than the position "CLOSE" the motor may become damaged.
- When the motor detonates and stops, put this lever again into position "OPEN" and pull the starter knob several times to start the motor again.
- If the operator keeps on pulling the starter when the lever of the throttle is in position "CLOSE", it is possible that it results difficult to start the motor due to fuel flooding.
- In case of fuel choking, remove the sparkplug and pull the grip several times to discharge any excess of fuel. Dry the sparkplug's electrode.

#### 4.1 General instructions for use

##### Starting mode

##### 1) When the motor is cold or after refueling:

- Place the machine on a flat surface.
- Put the stop switch into position "I".
- Continue pushing the priming pump until fuel enters into it.
- Generally, fuel enters into the carburetor after having pushed 7 to 10 times.
- When the priming pump is pushed excessively, an excess of gasoline returns to the fuel tank.
  - Turn the choke lever (starter) to the left to the closed position.
  - Hold the main handle with your left hand to avoid that the motor moves.

- Smoothly pull the starter grip until noticing a resistance (compression point). Then return the starter grip and pull strongly. The machine will start.
- Never pull the cable up to the limit.
- When pulling the starter grip, do not release it immediately. Hold the starter grip until it has returned to its original position.
- Open the choke lever progressively at the same time as checking the operation of the motor. Make sure that you open the choke lever fully at the end.
- In cold weather or when the motor is cold, never open the choke lever suddenly. If done so, the motor may stop.
  - Allow the motor to warm up for 2 or 3 minutes.
  - Warming up will be completed when a quick acceleration of the motor from a few rpm to full power takes place.

## 2) When the motor is warm:

- Place the machine on a flat floor.
- Make sure that the choke lever is open.
- Hold the main handle with your left hand to avoid the motor to move.
- Slowly draw out the starter grip until noticing a certain resistance. Then return the starter grip once and pull strongly.
- In case that starting the motor should be difficult, proceed to start it with the butterfly open at 1/3.

## 3) Stopping mode:

Release the triggering lever to reduce the motor speed and adjust the stop button to position "O".

## OPERATING PROCESS

### Operation of the blower

- Hold the blower correctly during operation.
- Direct the tip of the nozzle towards an object to be blown and press the speed trigger.
- Press the speed lever completely.
- As the lower portion of the fuel tank is the support handle, you may handle with your two hands. In this case, you must hold the support handle with your right hand.

### Suction operation

Proceed in a similar manner as when blowing, taking into account the following warnings:

### WARNING:

- **Do not allow oil, fuel, gasoline, lighted cigarettes etc. to be suctioned.**
  - You may cause fire.
- **Do not suction large pieces of wood, metal, glass, stones or other strange objects.**
  - You may cause breakdowns.
- **A dust bag that is too full may spill over and spill towards the motor side. Empty the bag before it has been filled completely.**
  - You may cause fire.
- **Hang the belt of the dust bag over your shoulder and adjust the length of the belt to facilitate operation.**

- **Make sure that the dust bag is not twisted and proceed to the dust collecting operation by pulling the triggering lever.**

## 5. Maintenances and service instructions

### 5.1 Change of the sparkplug

1. To remove and mount the high-voltage sparkplug, use the attached wrench.
2. Check the high-voltage sparkplug.  
The distance between the two electrodes is 0.7 - 0.8 mm.  
In the case that the distance should be too large or too small, adjust it so as to make it have the adequate distance.  
In the case that the high-voltage sparkplug should bear accumulated carbon, it must be cleaned completely or replaced.
3. Do not over tighten the sparkplug when mounting it. Once it has reached the limit, tighten 1/4 turn more.

### 5.2 Air filter

Open the cover 13 by pressing with your finger at the right of the clip 16.

Blow the filter with compressed air and thereafter wash it with detergent and water. Once dry, mount it and close the cover checking the retention of the clip 16.

Before using the equipment always check the filter

### 5.3 Fuel

- Stop the motor.
- Loosen the tank lid somewhat to release pressure from the tank.
- Remove the tank lid and refuel at the same time that you allow air exiting by inclining the fuel tank such that the refueling opening is orientated upwards. (You must NOT ever fill the tank up to spilling over.)
- After refueling, tighten the tank lid firmly.
- Replace the tank lid if there is any defect or damage.
- The tank lid becomes damaged with the path of time. Replace it every two or three years.
- Use 95 octane gasoline mixed with 2.5% 2T motor oil.

### FUEL STORAGE PERIOD

Fuel must be used within a period of 4 weeks even when stored in a special recipient in a shadowed and well-ventilated area.

When no special recipient is used or it is not covered, fuel may deteriorate within one day. Storage of the machine and the refueling tank:

- Keep the machine and the tank at a fresh location free of direct sunlight.
- Never leave fuel in an automobile.



**When refueling the unit, make sure to observe the following instructions to prevent ignition or fire:**



- Fuel supply must be made at a location where there is no fire. Do never bring fire (smoking, etc.) near the location where fuel supply is taking place.
- Stop the motor and let it cool down before refueling.
- Open the fuel lid slowly. It is possible that fuel spills over if there is inner pressure.
- Be careful to not spill the fuel. Any spilled fuel must be cleaned.
- Carry out refueling at a location with adequate ventilation.
- Be careful with the manipulation of fuel.
  - Fuel stuck to the skin or that has got into the eyes may cause allergy or inflammation. In the case that you should have any abnormality in your body, refer to a specialized physician immediately.
- Do NOT put oil into the fuel tank.

## 5.4 Cleaning and maintenance

- Respect the environment. Work with the blower making the least possible noise and pollution. Particularly, check if the setting of the carburetor is the correct one.
- Clean the blower periodically and check that all its screws and nuts are firmly tightened.
- Never carry out maintenance or storage near to flames, sparks, etc. (11).
- Always store the blower in a closed and well-ventilated room and with its fuel tank empty.

Observe and follow all applicable instructions for the prevention of accidents as issued by associations, trade unions and insurance companies. Do not make any modification in the blower as that would put your safety at risk.

Carrying out maintenance and reparations by the user is limited to activities described in the operations manual. Other operations are to be carried out by an Authorized Service Agent.

Use only spare parts and accessories supplied by STAYER.

Use of non-approved parts entails an increase of the risk of accidents and damages. STAYER would not accept any responsibility for accidents or damages caused by the use of non-approved accessories.

### STORAGE

During fuel discharge it is necessary to stop the motor and to make sure that the motor has become completely cold.

- Otherwise burns or fire may occur.
- When storing the machine for a long period of time, drain all fuel from the fuel tank and carburetor, and keep it at a dry and clean site. Discharge fuel completely from the fuel tank and carburetor in accordance with the following process:
- Remove the fuel tank lid and discharge the fuel completely. If there is any strange material in the fuel tank, remove it completely.

- Push the priming pump until fuel has been discharged from there, and discharge fuel entering the fuel tank.
- Adjust the filter in the fuel tank and tighten the fuel tank lid firmly.
- Then continue by making the motor operate until the motor stops.
- Remove the sparkplug and make motor oil drops falling through the sparkplug opening.
- Calmly pull the starter grip so that the oil becomes extended within the motor and position the sparkplug.
- Keep the machine with its handle pointing upwards.

## 5.5 Repair service

Our after-sales service responds to your questions concerning maintenance and repair of your product as well as spare parts.

Exploded views and information on spare parts can also be found under: [info@grupostayer.com](mailto:info@grupostayer.com)

Our customer consultants answer your questions concerning best buy, application and adjustment of products and accessories.

## 5.6 Warranty

### Warranty card

Included in the documentation that accompanies this equipment, you should find the warranty card. You should fill out the card completely and return to vendor with a copy of purchasing receipt or invoice and you should receive a receipt.

**Note: If you cannot find the warranty card within the documentation, you must ask for it through your supplier.**

The warranty is limited only to manufacturing defects and expire if pieces have been removed or manipulated or repaired other than the manufacturer.

## 5.7 Disposal and recycling

The machine, accessories and packaging should be sorted for environmental-friendly recycling.  
Only for EC countries:

### Do not dispose of power tools into household waste!



According to the European Guideline 2002/96/EC for Waste Electrical and Electronic Equipment and its implementation into national law, power tools that are no longer usable must be collected separately and disposed of in an environmentally correct manner.

**Subject to change without notice.**

## 6. Regulations

### 6.1 Technical Data



= Rated power input.



= Load speed.

**C.C.** = Displacement.



= Maximum length of the tube.



= Bag volume.



= Maximum air speed.



= Airflow.



= Fuel tank capacity.



= Weight.

$L_{WA}$

= Sound power level.

$L_{PA}$

= Sound pressure level.



= Vibration.

### 6.2 EU declaration of conformity

The undersigned: STAYER IBERICA, S.A.

With address at:

Calle Sierra de Cazorla, 7  
 Área Empresarial Andalucía - Sector 1  
 28320 PINTO (MADRID)  
 Tel.: +34 91 691 86 30 / Fax: +34 91 691 86 31

CERTIFIES

That the machine:

Type: **MULCHING VACUUM BLOWER**

Models: **GAS VENTO 25**

I declare under our responsibility that the product described under "Technical Data" is in accordance with the following standards or standardized documents: UNE EN 14982: 2007+A1:2011, EN 50636-2-100:2014 according to regulations 2006/42/CE, 2004/108/CE.

March 5, 2015

**CE**  **RÖHS**

**Ramiro de la fuente**  
 Managing Director



**STAYER**

Área Empresarial Andalucía - Sector 1  
C/ Sierra de Cazorla, 7  
28320 - Pinto (Madrid) SPAIN  
Email: [sales@grupostayer.com](mailto:sales@grupostayer.com)  
Email: [info@grupostayer.com](mailto:info@grupostayer.com)



[www.grupostayer.com](http://www.grupostayer.com)