



STAYER

- ES** Manual de instrucciones
- IT** Istruzioni d'uso
- GB** Operating instructions
- DE** Bedienungsanleitung
- FR** Instructions d'emploi
- P** Manual de instruções
- TR** Kullanma Kılavuzu

HL105
HL160-HL190
HL220
HL2000
HL2200IND
HL2700IND
HL3000IND

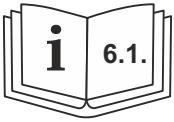


STAYER

Área Empresarial Andalucía - Sector I
Calle Sierra de Cazorla nº7
C.P: 28320 Pinto (Madrid) SPAIN
Email: sales@grupostayer.com
Email: info@grupostayer.com



www.grupostayer.com

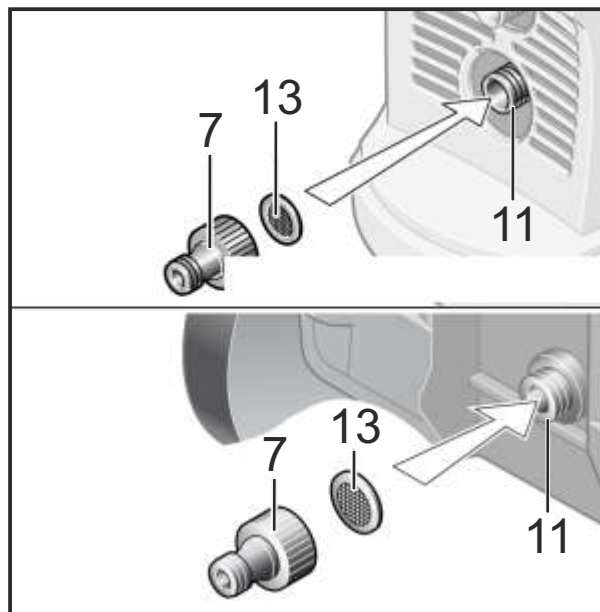
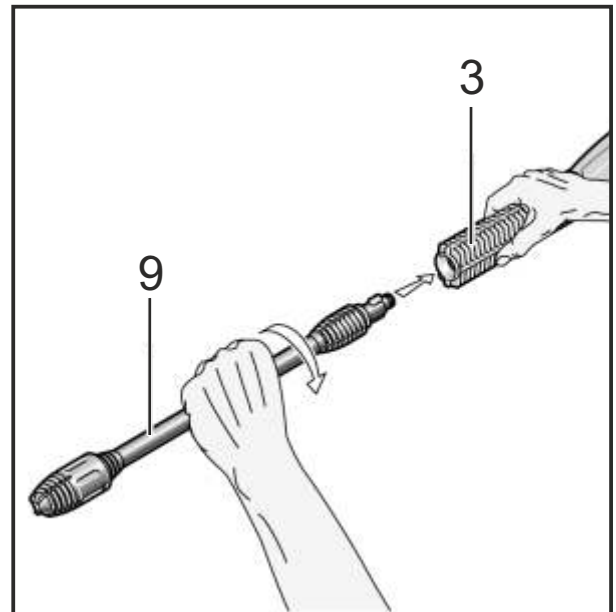
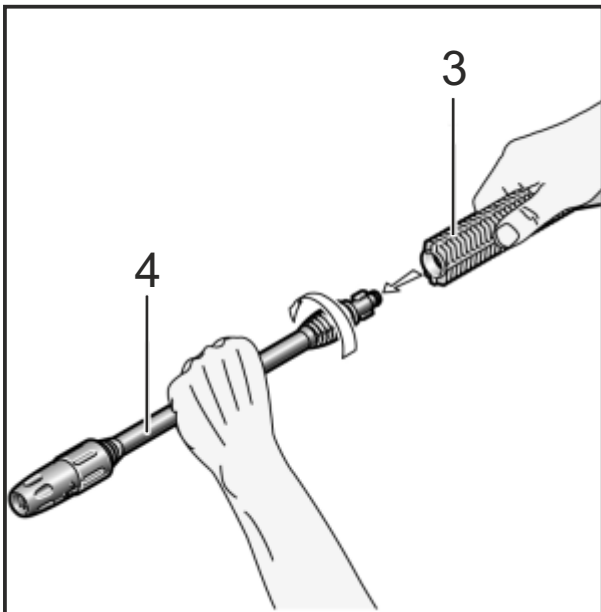
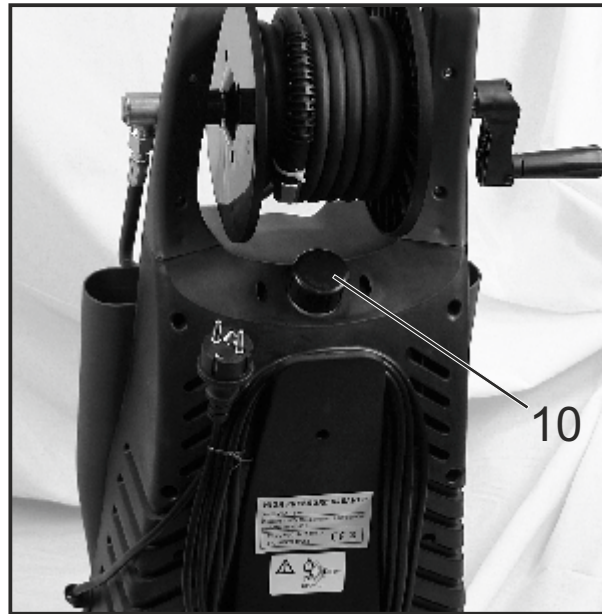


		HL105	HL160	HL190	HL220
W_1	W	1650	1800	2500	3000
Q	l/min	5.5	6.5	7	7.5
P_2	bar	105	165	195	200
P_1	bar	4	4	4	4
IP	IP	IPX5	IPX5	IPX5	IPX5
T_1	°C	5-50	5-50	5-50	5-50
M	kg	6	20	22	22
a_{hw}	m/s²	<2.5	<2.5	<2.5	<2.5
L_{PA}	dB (A)	81	76	79	79
L_{WA}	dB (A)	96	93	97	97

		HL2000 HL2200IND	HL2700IND	HL3000IND
W_1	W	2000	2500	3000
Q	l/min	6.5 / 7	7.5	9
P_2	bar	150	160	200
P_1	bar	4	4	4
IP	IP	IPX5	IPX5	IPX5
T_1	°C	5-50	5-50	0-40
M	kg	19.5	21.3	25
a_{hw}	m/s²	<2.5	<2.5	<2.5
L_{PA}	dB (A)	78	79	77
L_{WA}	dB (A)	96	87	86

UNE EN 60335-2-79:2009 Annex ZAA, K = 3 dBA (L_{PA} , L_{WA}) K = 2,1 m/s² (a_h)





The device has been designed to clean surfaces and objects in the elements, tools, vehicles and boats. With special accessories can be mixed for the cleaning products recommended by **STAYER**, unclogging pipes and loosen rust or paint.

This product is not suitable for industrial use. Regulatory use also involves the use at an ambient temperature between 5 °C and 50 °C.



This manual includes instructions on proper installation and safe use of machinery. It is very important to read carefully these instructions.

1. List of contents

	Page
2. Special safety instructions	12
3. Machine-specific Safety Warnings	13
3.1. Placing or fixing the tool.....	13
3.2. Assembling.....	13
3.3. Electrical connection.....	13
3.4. Illustrated description.....	13
4. Operating instructions	13
4.1. Placement and testing.....	13
4.2. Instructions for use.....	14
5. Maintenance instructions	14
5.1. Cleaning, maintaining, lubricating, sharpening.....	14
5.2. Repair service.....	15
5.3. Guarantee.....	15
6. Legal Regulations	15
6.1. Technical features.....	15
6.2. EC Declaration of Conformity.....	15

2. Machine-specific Safety Warnings

Before start-up please read these instructions!



Before using the machine please read the operating instructions for your unit and comply in particular with these safety instructions. Please keep the instructions safe for later use.



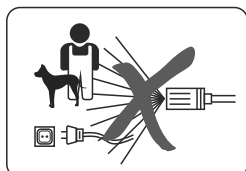
The warning and information signs attached to the unit provide important information for safe operation.

Apart from the information in the operating instructions comply with the general safety regulations and regulations for the prevention of accidents.



Machine not suitable for connection to the potable water mains.

Never direct the water jet at people, animals, the unit or electric components.



High pressure jets can be dangerous if subject to misuse.

Power supply

The voltage indicated on the rating plate must correspond to the voltage of the power source.

Class 1 units may only be connected to properly earthed power sources.

This equipment is only connected into a socket which is protected by a circuit-breaker that would be actuated by a 30 mA residual current. If an extension cord is used, the plug and socket must be of a water tight construction.

Warning. Inadequate extension cords can be dangerous. Never touch the mains plug with wet hands.

Do not run over, crush or pull the power supply cable or extension lead, otherwise it may be damaged. Protect the cable from heat, oil and sharp edges.

The extension lead must have a cross section in accordance with the operating instructions and be protected against splashed water. The connection must not be in water.

Water connection

Comply with the regulations of your water supply company.

All connecting hoses must have properly sealed joints.

The high-pressure hose must not be damaged (danger of bursting). A damaged high-pressure hose must be replaced immediately. Only use hoses and connections recommended by the manufacturer.

Application

Before use, check that the unit and operating equipment are in perfect condition and are safe to operate. Do not use the unit if it is not in perfect condition.

Never draw in solvent-containing liquids, undiluted acids or solvents! This includes petrol, paint thinners heating oil. The sprayed vapour is highly flammable, explosive and toxic; also acetone, undiluted acids and solvents as these corrode the materials used on the unit.

The appropriate safety regulations must be observed when using the unit in dangerous area (e.g. petrol stations). **It is forbidden to operate the unit in potentially explosive locations.**

The gun trigger must not be jammed in the "ON" position during operation.

Suitable protective clothing must be worn if necessary to protect against splashing from some parts.

Vehicle tyres/tyre valves may only be cleaned from a minimum distance of 30 cm, otherwise the vehicle tyre/tyre valve could be damaged by the high-pressure jet. The first indication of this is a discoloration of the tyre. Damaged vehicle tyres/tyre valves can be deadly dangerous.

Materials containing asbestos and other materials which contain substances which are hazardous to your health must not be sprayed.

Only use detergents which have been approved by the manufacturer of the unit.

Detergents must not be used undiluted. The products are safe to use as they contain no acids, alkalis or substances which are detrimental to the environment. We recommend that the detergents are kept out of the reach of children. If detergent comes into contact with the eyes wash immediately with plenty of water and if swallowed contact a doctor immediately.

Operation

The operator must use the unit in accordance with the regulations. He/she must take local conditions into account and be aware of other people, especially children, when operating the unit.

Do not use the appliance within the range of persons, unless they wear protective clothing.

Do not direct the jet against yourself or others in order to clean clothes or footwear.

The unit may only be used by authorised persons who have received training or have demonstrated their ability to operate the unit. The unit must not be operated by children or juveniles (danger of accidents due to incorrect use of the unit).

The unit must never be left unsupervised while the motor is running.

The water jet from the high-pressure nozzle produces a recoil on the gun. You should therefore hold the gun and spray lance firmly.

Maintenance

Remove the plug from the socket:

- whenever you leave the unit unattended for any period
- before checking, cleaning or working on the unit

Repairs may only be carried out by authorised **STAYER** Service Centres.

3. Machine-specific Safety Warnings

3.1. Placing or fixing the tool

The unit must be placed on solid base.

Only use detergents recommended by the manufacturer and comply with the application, disposal and warning instructions of the detergent manufacturers.

All current-conducting components in the working area must be protected against splashed water.

3.2. Assembling

Water connection

- Screw inlet connector **7** onto machine water inlet connection **11**.

- Attach water supply hose (not supplied) to the mains water supply and machine.

Connecting high pressure water supply hose/nozzle

- Securely screw high pressure hose **6** onto machine at connection **12**.

- Inserting the vario-jet/fan power lance **4** into the power gun **3**. Depress and turn the vario-jet/fan power lance 90° clockwise to lock in place.

3.3. Electrical Connection

Your machine requires an earth connection. The operating voltage is 230 V ac, 50 Hz (for non-EU countries 220 V, 240 V as applicable). Only use approved extension cables. Contact your **STAYER** Service Centre for details.

If you want to use an extension cable when operating your high pressure washer, only the following cable dimensions should be used:

1.5 mm² – max length 20 m

2.5 mm² – max length 50 m

Note! If an extension cable is used it must be earthed and connected through the plug to the earth cable of your supply network in accordance with prescribed safety regulations.

If in doubt contact a qualified electrician or the nearest STAYER Service Centre.

WARNING! Inadequate extension cables can be dangerous. Extension cable, plug and socket must be of watertight construction and intended for outdoor use. Cable connections should be kept dry and off ground.

For increased electrical safety touse a Residual Current Device (RCD) with a tripping current of not more than 30 mA. Always check your RCD every time you use it.




For safety, it is essential that the mains plug attached to the product is fitted to the power supply cable. The couplings of connection leads must be protected against splashes and the coupling sockets on the leads must be made of rubber or coated with rubber. Fixing means for the connection leads must be used. If the supply cord is damaged, it must be replaced by a STAYER Service Centre.

3.4. Illustrated description

- 1** Trigger safety lock
- 2** Trigger
- 3** Power gun
- 4** Vario-jet-fan power lance
- 5** Main switch
- 6** Water inlet hose
- 7** Inlet connector
- 8** Detergent nozzle and bottle
- 9** Roto power lance
- 10** Detergent Tank
- 11** Take water outlet
- 12** Fitting connections
- 13** Strainer

4. Operating instructions

4.1. Placement and testing

Connect the product to the mains supply ensuring that the mains switch is in the  position.


Open water tap

Press the safety lock **1** to release the trigger **2**. Fully press the trigger **2** until there is a constant flow of water to clear the air from the machine and water supply hose. Release trigger **2**. Press the trigger safety lock **1**.

Press button  on main switch **5**.

Point the power gun **3** downwards. Press the trigger safety lock to release the trigger **2**. Fully press the trigger **2**.

Stopping

Release trigger **2**. Press the trigger safety lock. The power gun is now locked and can not be operated accidentally. Press button  on the main switch **5**.

Close water tap. Unplug the machine from the electric supply.

Press the trigger safety lock **1** to release the trigger **2**. Fully press the trigger **2** until there is no more water pressure in the machine. Release trigger **2**. Press the trigger safety lock **1**.

Disconnect water supply hose from machine and water supply.

Fine-tuning operations

Vario-jet-fan power lance

Twist the front ring to adjust from a pencil to a fan jet and vice versa.

HL 190 / HL220 models fit the screw. **HL 105 / HL 160** snap fits with half turn.

4.2. Instructions for use

General

Ensure that the machine is on level ground.

Do not overreach with the high pressure hose or move the pressure washer by pulling the hose, this could cause the machine to become unstable and fall over.

Do not kink or drive a motor vehicle over the high pressure hose. Do not expose the high pressure hose to sharp edges or corners. Never use the roto nozzle to clean motor vehicles.

Operating with Detergents

Only use approved detergents. Unsuitable detergents may damage the unit and the object being cleaned.

Fill the detergent tank **10** with detergent, dilute as recommended.

To spray detergent move vario-jet-fan power lance to low pressure mode.

We recommend that you use detergent sparingly for the sake of the environment. Observe the recommended dilution on the detergent label.

Recommended cleaning method

Step 1: Loosening dirt

Spray on detergent sparingly and allow to react for a short time.

Step 2: Removing dirt

Spray off the loosened dirt with the high-pressure spray.

Note! When cleaning a vertical surface spray off dirt/detergent from the bottom and work in an upwards direction. Rinse from the top and work downwards.

5. Maintenance instructions

5.1. Cleaning, maintaining, lubricating, sharpening

Warning! Switch off, remove plug from mains before adjusting, cleaning or if cable is cut, damaged or entangled.

Cleaning/inspecting the strainer

Expose the strainer **13** in the machine water inlet connection by removing the inlet connector **7**.

Rinse and replace. If damaged replace.

Never use the pressure washer without the strainer or a damaged strainer.

Maintenance



Stop, remove plug from the power supply and disconnect from water supply.

Note! To ensure long and reliable service, carry out the following maintenance regularly.

Regularly check for obvious defects such as loose fixings, and worn or damaged components.

Check that covers and guards are undamaged and correctly fitted. Carry out necessary maintenance or repairs before using.

If the pressure washer should happen to fail despite the care taken in manufacture and testing, repair should be carried out by an authorised service agent for **STAYER** garden products.

Environmental Protection

Chemicals dangerous to the environment must not be allowed to enter the ground, ground water or ponds, streams, etc.

For the use of cleaning agents, observe the instructions on the package and the prescribed concentration exactly.

For the cleaning of motor vehicles the local regulations should be observed: Do not allow oil sprayed off to enter into the ground water. Recycle raw materials instead of waste disposal.

Disposal

It is compulsory to subject electric tools, accessories and packaging to a recovery process that respect the environment.

For EU countries only:

Do not throw away electric tools!



In accordance with European Directive 2012/19/UE on unserviceable electric and electronic apparatus, after its transposition into national law, they must be collected separately to subject them to ecologic recycling.

The right to amendment is reserved.

5.2. Repair service

The technical service will provide you advice regarding questions you may have on the repair and maintenance of your product as well as on spare parts. You may also obtain exploded views and information on spare parts on the internet under: info@grupostayer.com

Our team of technical advisors will be glad to guide you regarding acquisition, application and adjustment of products and accessories.

List of Replaceable Parts

The attached table (**T1-page 16**) gives checks and actions that you can perform if your machine does not operate correctly.

If these do not identify/remedy the problem, contact your service agent.



Switch off and remove plug from mains before investigating fault.

5.3. Guarantee

Guarantee card

Included in the documentation that accompanies this equipment, you should find the warranty card. You should fill out the card completely and return to vendor with a copy of purchasing receipt or invoice and you should receive a receipt.

Note! If you cannot find the warranty card within the documentation, you must ask for it through your supplier.

The warranty is limited only to manufacturing defects and expire if pieces have been removed or manipulated or repaired other than the manufacturer.

6. Legal Regulations

6.1. Technical features

The values given are valid for nominal voltages [U] 230/240 V ~ 50/60 Hz - 110/120 V ~ 60Hz. For lower voltage and models for specific countries, these values can vary. Please observe the article number on the type plate of your machine. The trade names of the individual machines may vary.

We reserve the right to change related to technical advance.

W_1	= Rated input power
Q	= Maximum flow
P_2	= Maximum Pressure
P_1	= Max. Pressure Water Supply
IP	= Protection index
T_1	= Water temperature
M	= weight
a_{hw}	= Acceleration typically evaluated in the hand/arm
L_{pA}	= Acoustic pressure level
L_{WA}	= Acoustic power level

The noise level when working can exceed 95 dB (A).

6.2 EC Declaration of conformity

The undersigned: STAYER IBERICA, S.A.

With address at:

Calle Sierra de Cazorla, 7
 Área Empresarial Andalucía - Sector 1
 28320 PINTO (MADRID)
 Tel.: +34 902 91 86 81 / Fax: +34 91 691 91 72

CERTIFIES

That the machine:

Type: **Hidrolimpiadoras**
 Models: **HL105 / HL160**
HL190 / HL220 / HI2000 /
HL2200IND / HL2700IND / HL3000IND

We declare under our sole responsibility that this product is in conformity with the following standards or standardized documents:

EN 60335-2-79, EN 55014-1, EN 55014-2, EN 61000-3-2, EN 61000-3-3 according to EU Regulations 2006/42/CE, 2014/30/EU, 2011/65/EU.

September 29, 2017

Ramiro de la Fuente
 Director General



Replaceable Parts Table / T1

Symptom	Possible Cause	Remedy
Motor refuses to start	<ul style="list-style-type: none"> - Plug not connected - Mains socket faulty - Fuse faulty/blown - Extension cable damaged - Motor protector has activated - Frozen 	<ul style="list-style-type: none"> - Connect plug - Use another socket - Replace fuse - Try without extension cable - Allow to cool for 5 minutes - Wait for pump/water supply hose/accessory to thaw
Motor stops	<ul style="list-style-type: none"> - Fuse faulty/blown - Wrong mains voltage - Motor protector has activated 	<ul style="list-style-type: none"> - Replace fuse - Check that mains voltage corresponds to specifications on the model tag - Allow to cool for 5 minutes
Fuses blow	Fuses faulty/blown	Change to a mains supply higher than the pressure washer amp consumption
Excessive working pressure	Nozzle partly blocked	Clean nozzle
Pressure pulsating	<ul style="list-style-type: none"> - Air in the inlet water supply hose/pump - Inadequate water supply - Water strainer blocked - Water supply hoses squeezed - High pressure hose too long 	<ul style="list-style-type: none"> - Allow pressure washer to run with open spray handle and nozzle at low pressure until regular working pressure is obtained. - Check that the water supply corresponds to specifications. The minimum specification for the water supply hose is 1/2" or 13 mm diameter. - Clean water strainer - Straighten out kinked water supply hoses - Dismount high pressure extension hose. Retry (extension hose max. 7 m)
Pressure too low, but steady Note! Several types of accessory will normally deliver a lower pressure	<ul style="list-style-type: none"> - Nozzle worn - Start/stop valve worn 	<ul style="list-style-type: none"> - Change the nozzle - Activate trigger five times in quick succession
Motor starts up but no working pressure	<ul style="list-style-type: none"> - No water supply - Water strainer clogged up - Nozzle clogged up 	<ul style="list-style-type: none"> - Connect water supply - Clean the water strainer - Clean nozzle
The pressure washer starts irregularly by itself	Pump/power gun leaky	Contact your STAYER Service Centre
Water leaks from machine	Leaking pump	6 drops per minute are permissible. In case of more serious leakage, you should contact your STAYER Service Centre.

Accessories and spare parts

Only use accessories and spare parts which have been approved by **STAYER**. Original accessories and spare parts guarantee that the unit can be operated safely and without any breakdowns.



STAYER

Área Empresarial Andalucía - Sector I
Calle Sierra de Cazorla nº7
C.P: 28320 Pinto (Madrid) SPAIN
Email: sales@grupostayer.com
Email: info@grupostayer.com



www.grupostayer.com