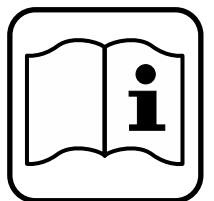




STAYER

- ES** Manual de instrucciones
- IT** Istruzioni d'uso
- GB** Operating instructions
- DE** Bedienungsanleitung
- FR** Instructions d'emploi
- P** Manual de instruções
- PL** Instrukcja obsługi
- TR** Kullanım talimatları

LU260E LU260BE LU260CE



STAYER

Area Empresarial Andalucía - Sector I
Calle Sierra de Cazorla n°7
C.P: 28320 Pinto (Madrid) SPAIN
Email: info@grupostayer.com

www.grupostayer.com

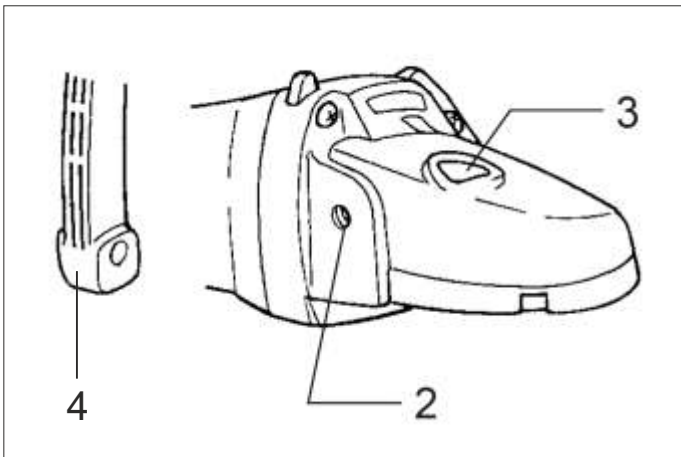


Fig. 1

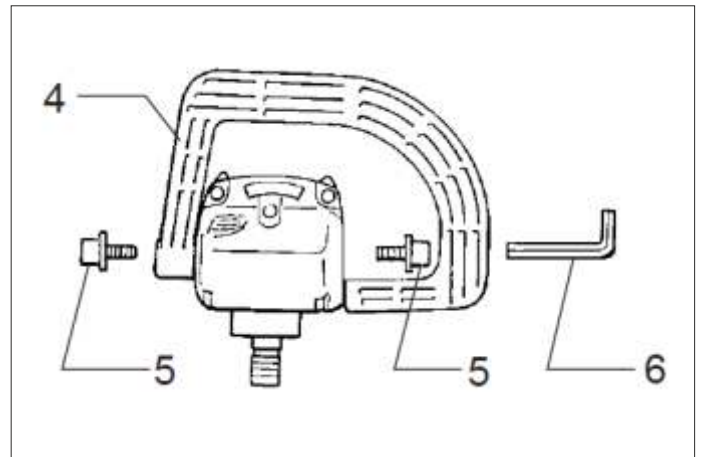


Fig. 2

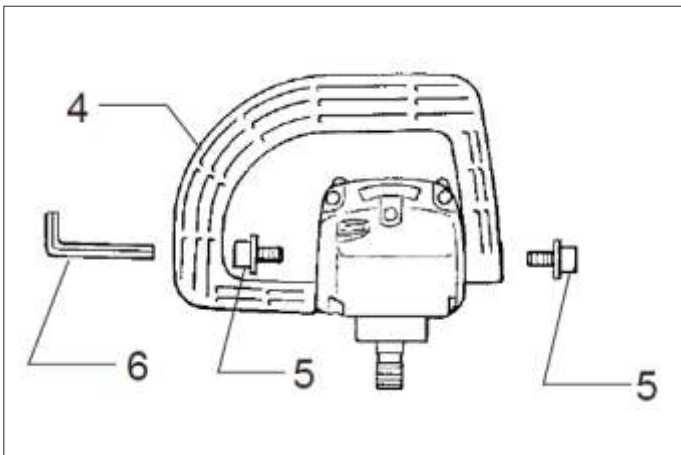


Fig. 3

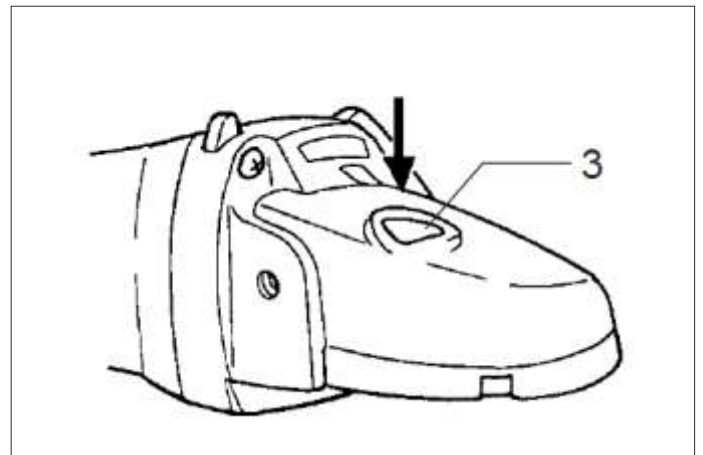


Fig. 4

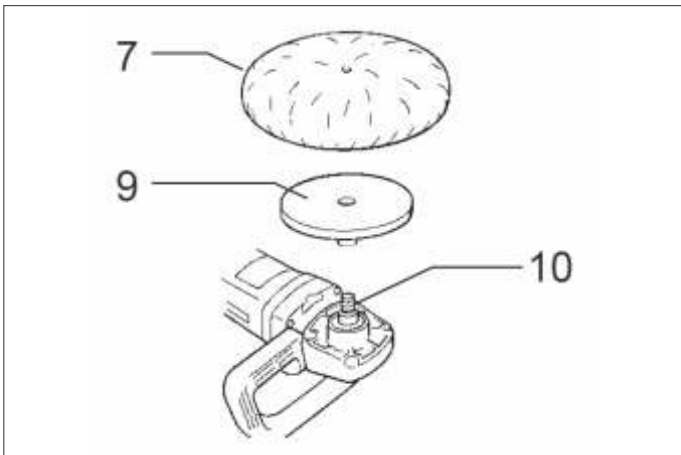


Fig. 5

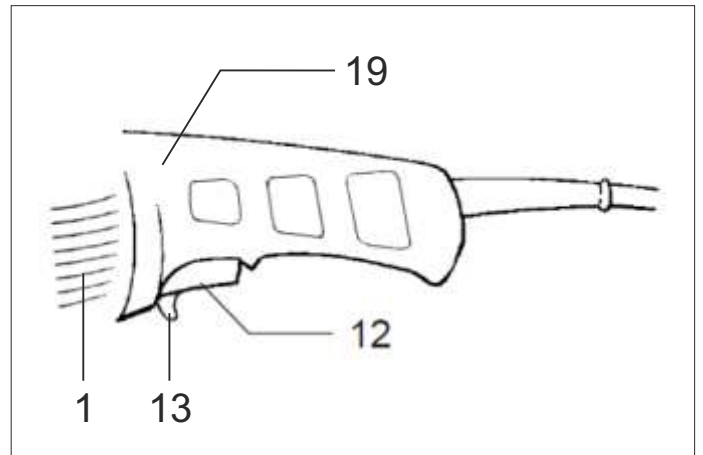


Fig. 6

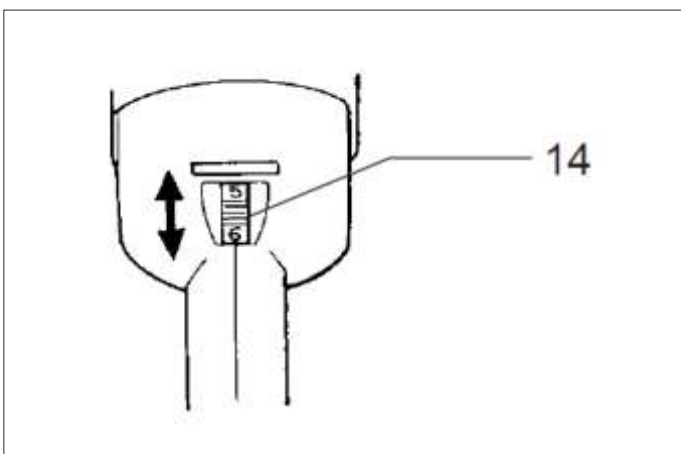


Fig. 7

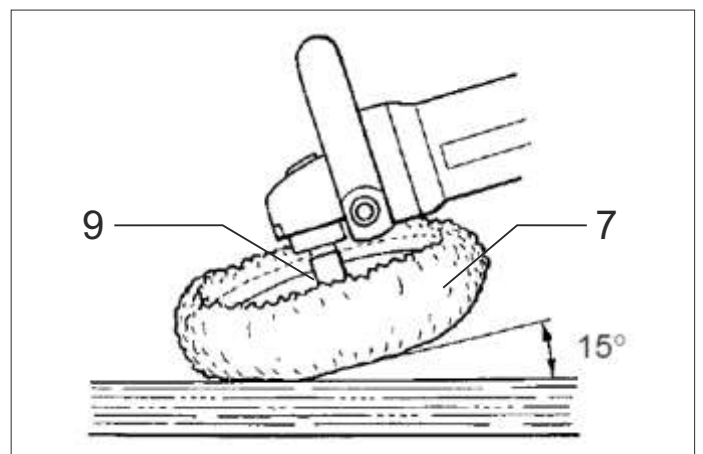


Fig. 8

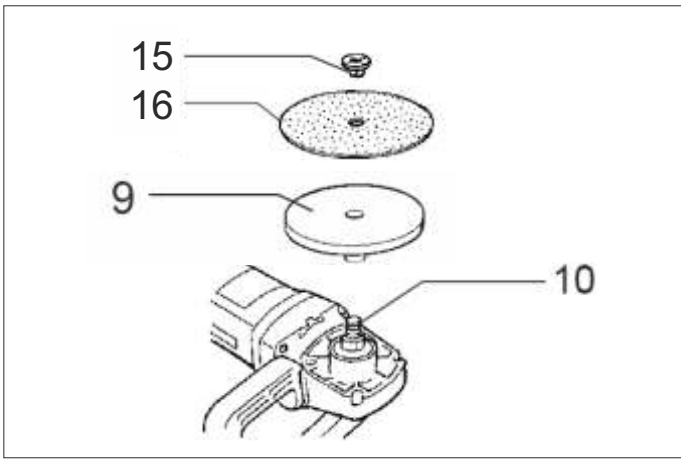


Fig. 9

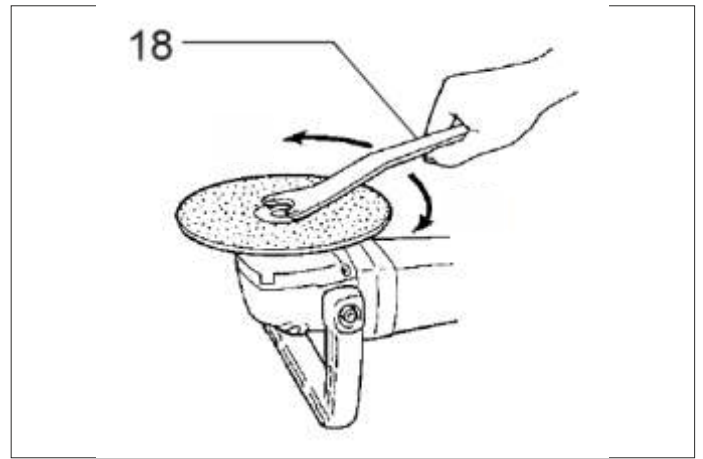


Fig. 10

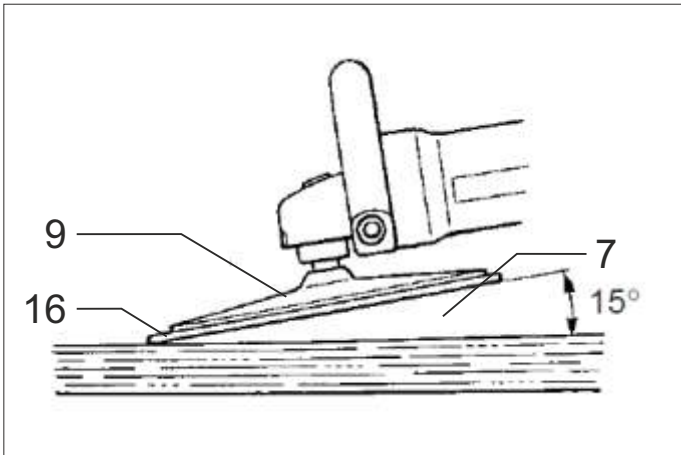


Fig. 11

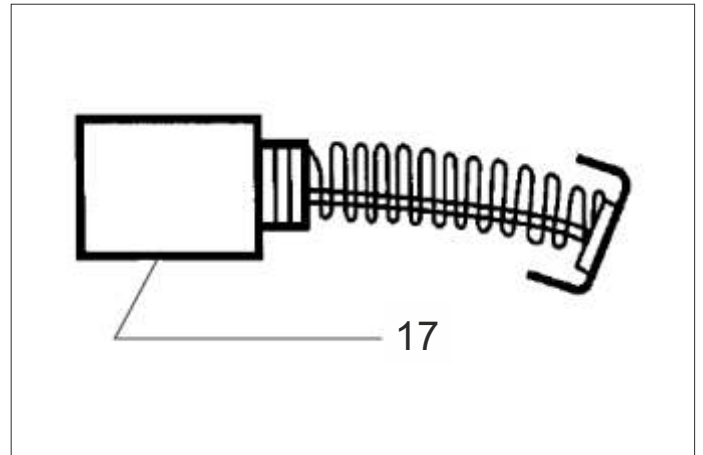


Fig. 12

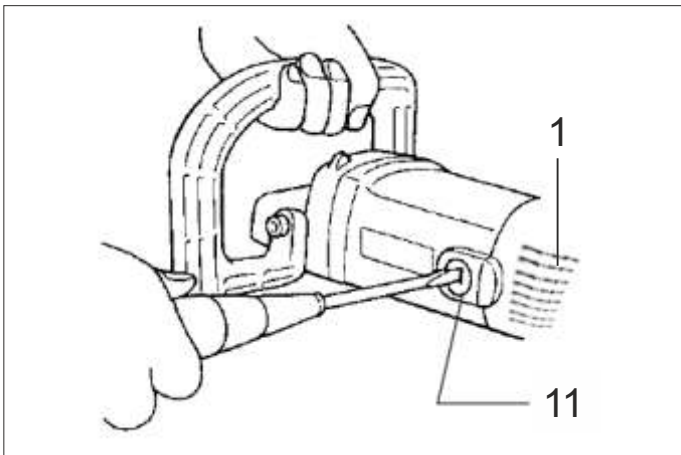


Fig. 13

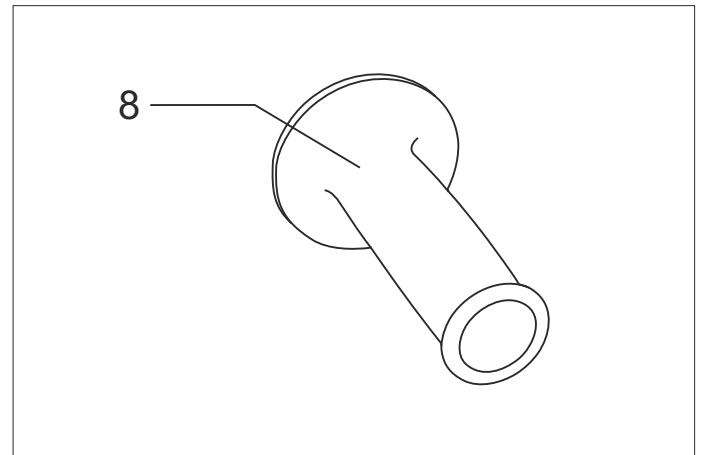








Fig. 14



		LU 260 E	LU 260 BE	LU 260 CE	
	W	1200	1200	1200	
	min ⁻¹	750-3300	900-3000	600-3200	
	mm	Ø 180	Ø 180	Ø 180	
E	-	M14	M14	M14	
	kg	3	3	3	
	K=3 dB	L _{pA} dB(A)	91	90	90
		L _{WA} dB(A)	98	101	101
	K=1.5 m/s ²	a _h m/s ²	2.5	5.35	5.35

This manual is consistent with the date of manufacture of your machine, you will find information on the technical data of the machine acquired manual check for updates of our machines on the website:
www.grupostayer.com

1. Specific safety instructions

- **Always use eye and ear protection.** Other personal protective equipment such as dust mask, gloves, helmet and apron should be worn when necessary. If in doubt, wear the protective equipment.
- **Always be sure that the tool is switched off and unplugged before carrying out any work on the tool.**
- **Accessories must be rated for at least the speed recommended on the tool warning label.** Wheels and other accessories running over rated speed can fly apart and cause injury.
- **Check the backing pad carefully for cracks, damage or deformity before operation.** Replace cracked, damaged or deformed pad immediately.
- **Check that the workpiece is properly supported.**
- **Hold the tool firmly.**
- **Keep hands away from rotating parts.**
- **Make sure abrasive disc or wool bonnet is not contacting the workpiece before the switch is turned on.**
- **When sanding metal surfaces, watch out for flying sparks.** Hold the tool so that sparks fly away from you and other persons or flammable materials.
- **Do not leave the tool running.** Operate the tool only when hand-held.
- **Pay attention that the wheel continues to rotate after the tool is switched off.**
- **Do not touch the workpiece immediately after operation; it may be extremely hot and could burn your skin.**
- **If working place is extremely hot and humid, or badly polluted by conductive dust, use a short-circuit breaker (30 mA) to assure operator safety.**
- **Do not use the tool on any materials containing asbestos.**
- **Do not use water or grinding lubricant.**
- **Ventilate your work area adequately when you perform sanding operations.**
- **Always use the correct dust mask/respirator for the material and application you are working with.**
- **Ensure that ventilation openings are kept clear when working in dusty conditions.** If it should become necessary to clear dust, first disconnect the tool from the main supply (use non metallic objects) and avoid damaging internal parts.



Save these instructions

2. Commissioning Instructions

Thanks to the CONSTANT SPEED system, your machine will keep the revolutions per minute (RPM) constant between no-load conditions and load.

2.1 Mounting

Installing loop handle

⚠ Always be sure that the tool is switched off and unplugged before installing the loop handle.

Always install the loop handle **4** on the tool before operation.

Install the loop handle **4** so that will fit into the matching hole in the handle housing **2**. (Fig.1)

Install the bolts **5** and tighten them with the hex wrench **6**.

The loop handle **4** can be installed in two different directions as shown in **Fig. 2 & 3**, whichever is convenient for your work.

Shaft lock (Fig. 4)

Press the shaft lock **3** to prevent spindle **10** rotation when installing or removing accessories such as wool pads **7**.

⚠ Never actuate the shaft lock 3 when the spindle 10 is moving. The tool may be damaged.

Installing or removing wool pad (Fig. 1 & 5)

⚠ Always be sure that the tool is switched off and unplugged before installing or removing the wool pad.

To install the wool pad **7**, first remove all dirt or foreign matter from the backing pad **9**. Press the shaft lock **3** and screw the backing pad **9** onto the spindle **10**.

To remove the wool pad **7**, just tear it off the backing pad **9**. Then unscrew the backing pad **9** while pressing the shaft lock **3**.

Switch action (Fig. 6)

Before plugging in the tool, always check to see that the switch trigger actuates properly and returns to the "OFF" position when released.

To start the tool, simply pull the trigger **12**. Release the trigger **12** to stop.


For continuous operation, pull the trigger **12** and then push in the lock button **13**.

To stop the tool from the locked position, pull the trigger **12** fully, then release it.

Speed adjusting dial (Fig. 7)

The tool speed can be infinitely adjusted between (750-3300 rpm LU260E / 900-3000 rpm LU260BE) by turning the speed adjusting dial **14** to a given number setting from 1 to 6.

Higher speed is obtained when the dial **14** is turned in the direction of number 6; lower speed is obtained when it is turned in the direction of number 1.

 **The speed adjusting dial 14 can be turned only as far as 6 and back to 1. Do not force it past 6 or 1, or the speed adjusting function may no longer work.**

2.2 Illustrated description

- 1 Ventilation grill
- 2 Handle adaptation orifice
- 3 Shaft lock
- 4 Loop handle
- 5 Bolts
- 6 Hex wrench
- 7 Wool pad
- 8 Side grip
- 9 Gum Base (base of velcro)
- 10 Spindle
- 11 Cover brushes
- 12 Switch trigger
- 13 Lock button
- 14 Speed adjusting dial
- 15 Lock nut
- 16 Abrasive disc
- 17 Carbon brushes
- 18 Lock nut wrench

3 Operating instructions

3.1 Placement and testing (fig. 8)




Always wear safety glasses or a face shield during operation.

Pull the trigger **12** and turn the speed adjusting dial **14** until you obtain the appropriate speed for your work. When polishing, keep the wool pad **7** at an angle of about 15° to the workpiece surface (Fig. 8).

Using caps or disks

Installing or removing (Fig. 1, 9 & 10)

 **Always be sure that the tool is switched off and unplugged before installing or removing the abrasive disc.**

Mount the rubber pad **9** onto the spindle **10**. Fit the caps **7** or disks **16** on over the rubber pad **9** and screw the lock nut **15** onto the spindle **10**. Press the shaft lock **3** and tighten the lock nut **15** using the lock nut wrench **18**. To remove the caps **7** or disks **16**, follow the installation procedure in reverse.

 **The rubber pad, abrasive disc, lock nut and lock nut wrench are optional accessories.**

Operation (Fig. 11)




Always wear safety glasses or a face shield during operation.

Hold the tool's switch **12** handle **19** and the loop handle **4** firmly with both hands during operation.

Keep the wool cap **7** or abrasive disc **16** at an angle of about 15° to the workpiece surface (Fig. 11).

4. Maintenance instructions

 **Always be sure that the tool is switched off and unplugged before carrying out any work on the tool.**

Replacement of carbon brushes (Fig. 12 & 13)

Replace carbon brushes **17** when they are worn. Both identical carbon brushes **17** should be replaced at the same time.

To maintain product safety and reliability, repairs, maintenance or adjustment should be carried out by a **STAYER** Authorized Service Center.

4.1 Repair service

Our after-sales service responds to your questions concerning maintenance and repair of your product as well as spare parts. Exploded views and information on spare parts can also be found under:
info@grupostayer.com

Our customer consultants answer your questions concerning best buy, application and adjustment of products and accessories.

4.2 Warranty

Warranty card

Included in the documentation that accompanies this equipment, you should find the warranty card. You should fill out the card completely and return to vendor with a copy of purchasing receipt or invoice and you should receive a receipt.

Note: If you cannot find the warranty card within the documentation, you must ask for it through your supplier.

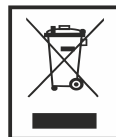
The warranty is limited only to manufacturing defects and expire if pieces have been removed or manipulated or repaired other than the manufacturer.

4.3 Disposal and recycling

The machine, accessories and packaging should be sorted for environmental-friendly recycling.

Only for EC countries:

Do not dispose of power tools into household waste!



According the European Guideline 2012/19/UE for Waste Electrical and Electronic Equipment and its implementation into national right, power tools that are no longer usable must be collected separately and disposed of in an environmentally correct manner.

Subject to change without notice.

5. Regulations

5.1 Technical Data



= Power input



= No load speed



= Plate dimension

E

= Bladeshaft



= Weigth

L_{pA} = Sound pressure level

L_{WA} = Sound power level



= Vibration

The values given are valid for nominal voltages [U] 230/240 V ~ 50/60 Hz - 110/120 V ~ 60Hz. For lower voltage and models for specific countries, these values can vary. Please observe the article number on the type plate of your machine. The trade names of the individual machines may vary.

5.2 EU declaration of conformity

The undersigned: **STAYER IBERICA, S.A.**

With address at:

Calle Sierra de Cazorla, 7
 Área Empresarial Andalucía - Sector 1
 28320 PINTO (MADRID)
 Tel.: +34 902 91 86 81 / Fax: +34 91 691 91 72

CERTIFIES

That the machine:

Type: **SANDER / POLISHER**
 Models: **LU260E - LU260BE - LU260CE**

We declare under our sole responsibility that this product is in conformity with the following standards or standardized documents:

EN 60745-1, EN 60745-2-4, EN 55014-1, EN 55014-2, EN 61000-3-2, EN 61000-3-3 according to EU Regulations 2006/42/EC, 2014/30/EU, 2011/65/EU.

Ramiro de la Fuente
 Director Manager

September, 2017



CE  RÖHS



STAYER

Area Empresarial Andalucía - Sector I
Calle Sierra de Cazorla nº7
C.P: 28320 Pinto (Madrid) SPAIN
Email: info@grupostayer.com



ROHS

CE



www.grupostayer.com