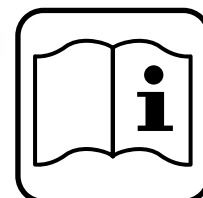




STAYER

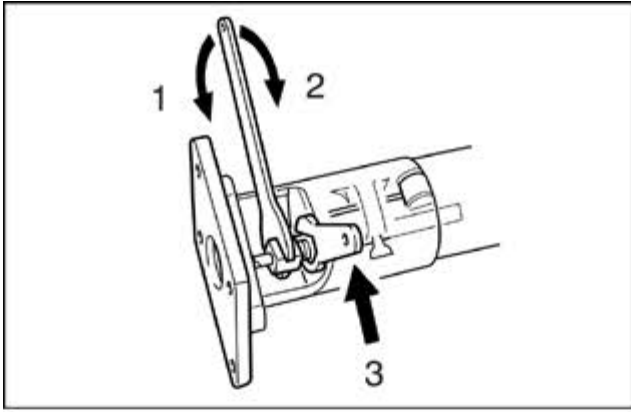
- ES** Manual de instrucciones
- IT** Istruzioni d'uso
- GB** Operating instructions
- DE** Bedienungsanleitung
- FR** Instructions d'emploi
- P** Manual de instruções
- PL** Instrukcja obsługi

PR6

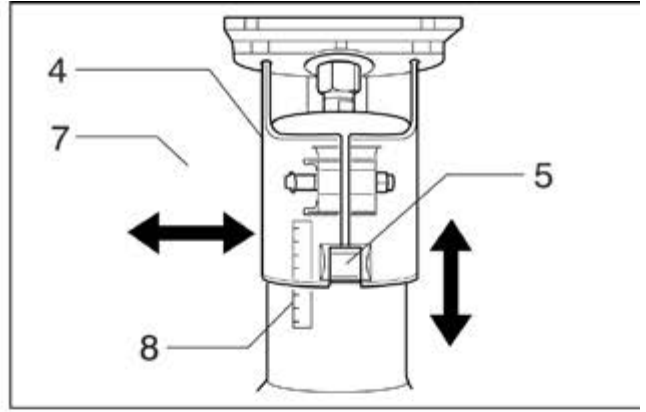


Área Empresarial Andalucía - Sector 1
C/ Sierra de Cazorla, 7
28320 - Pinto (Madrid) SPAIN
Email: sales@grupostayer.com
Email: info@grupostayer.com

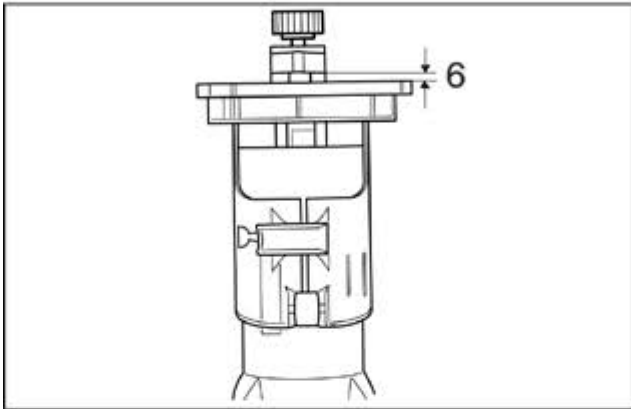
www.grupostayer.com



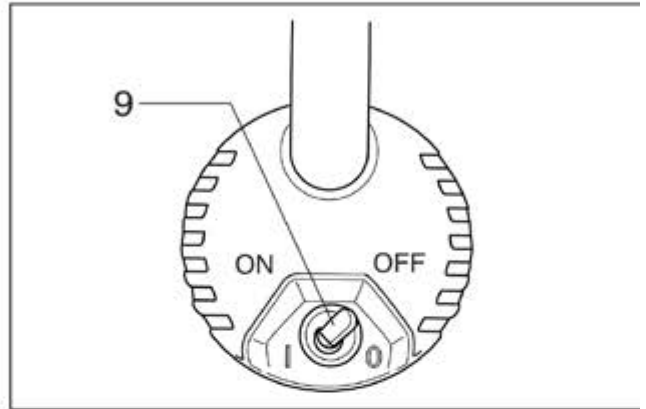
1



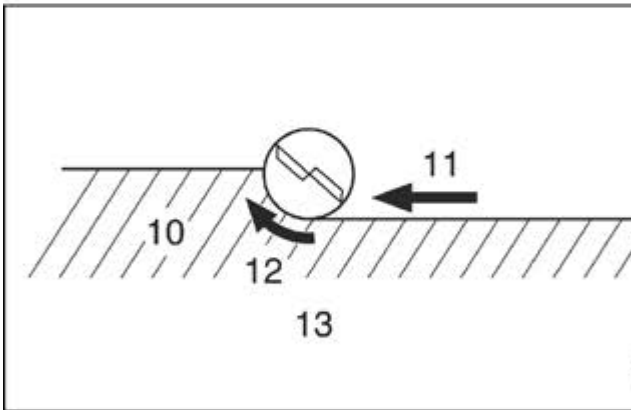
2



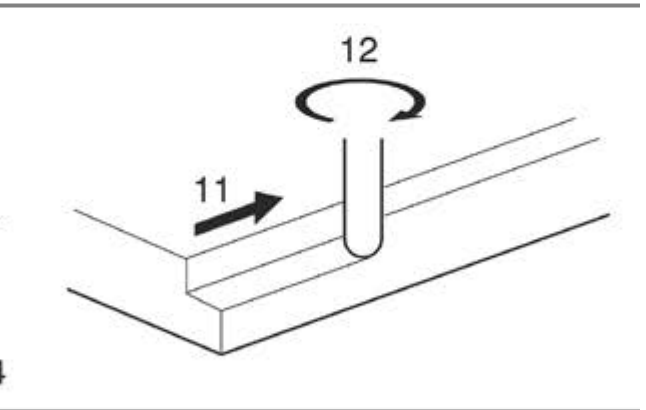
3



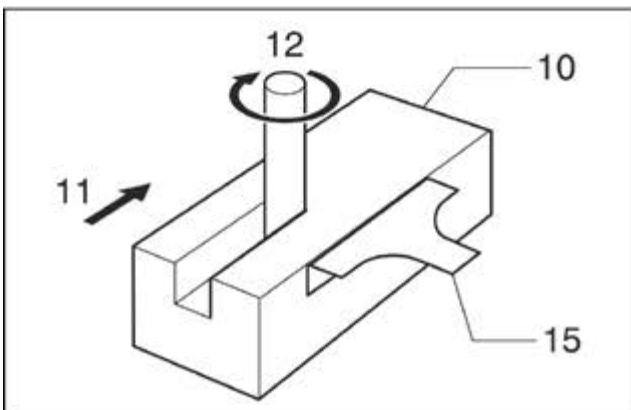
4



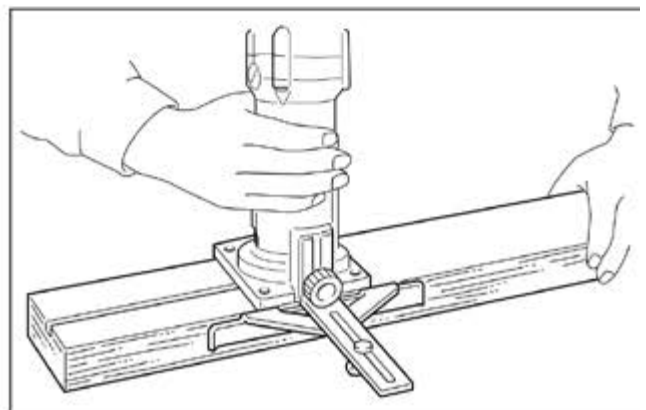
5



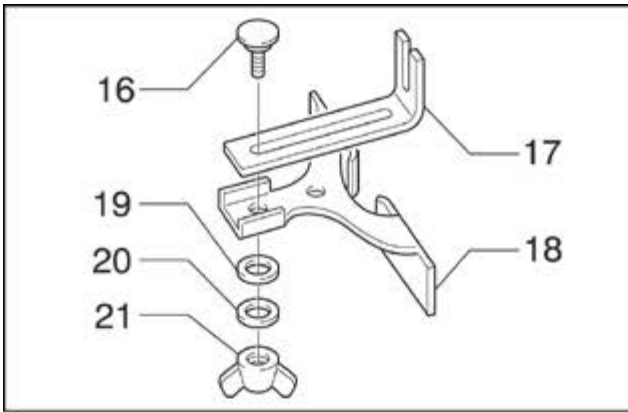
14



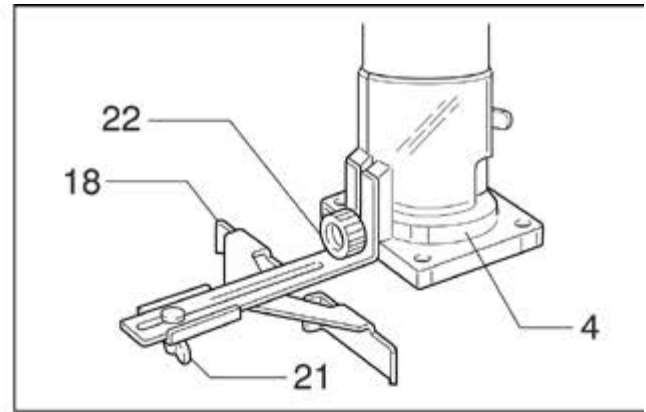
6



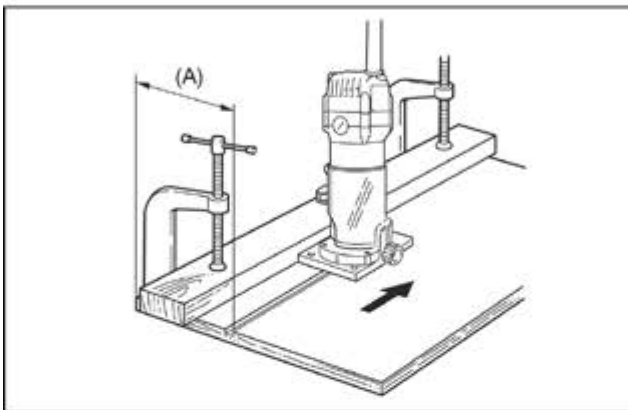
7



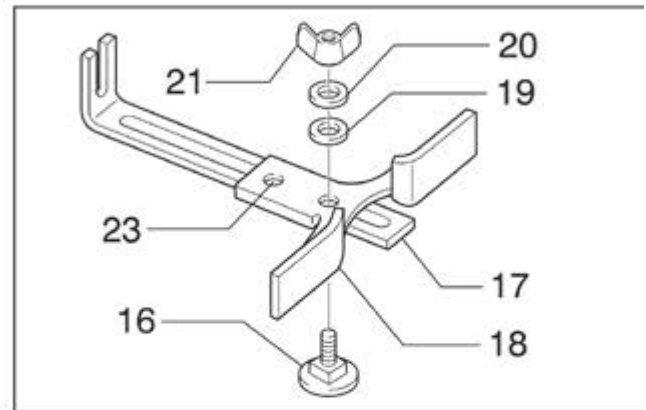
8



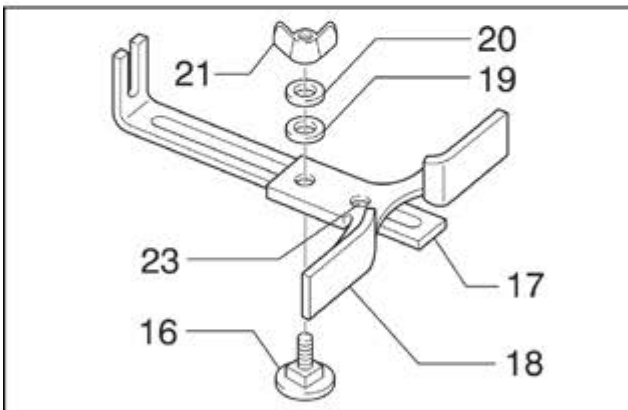
9



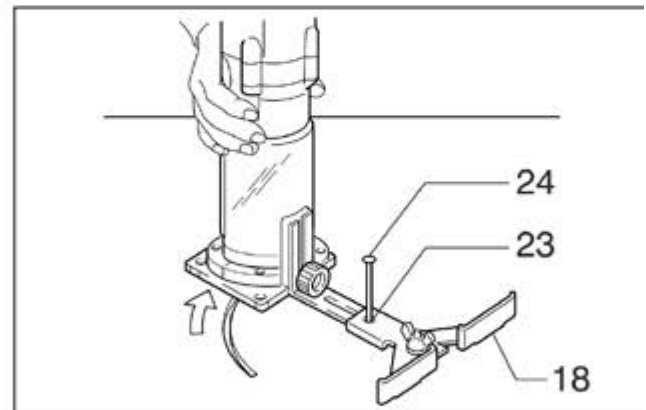
10



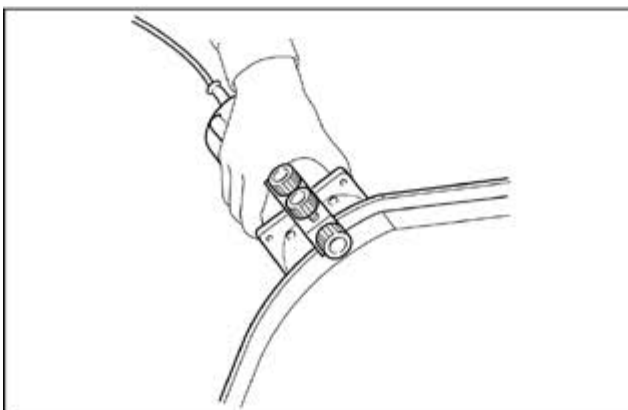
11



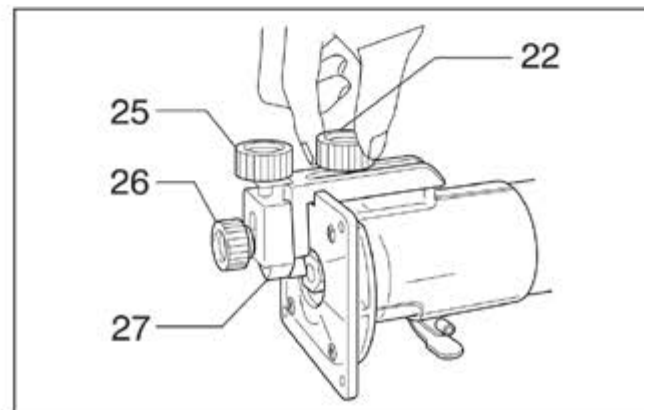
12



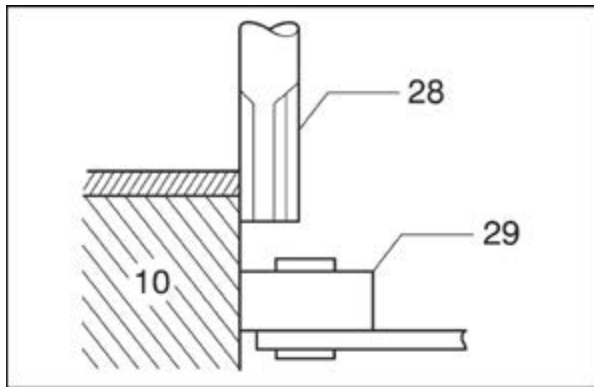
13



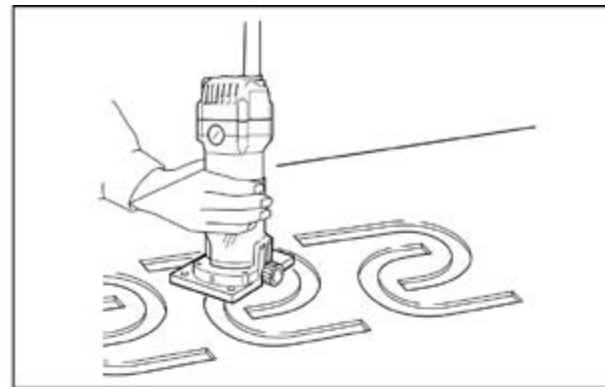
14



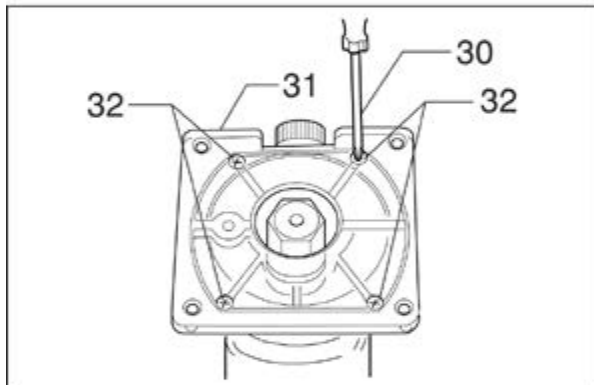
15



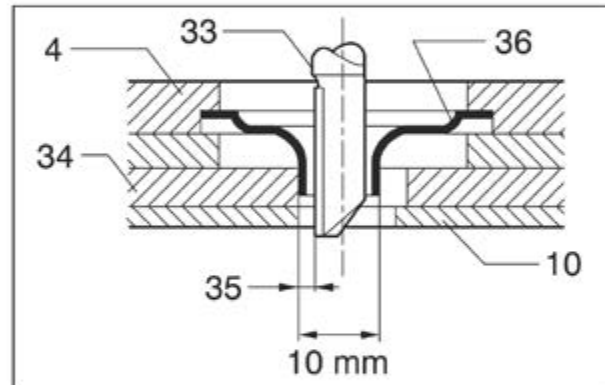
16



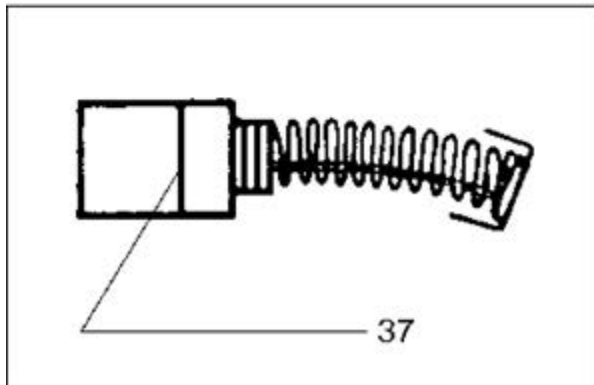
17



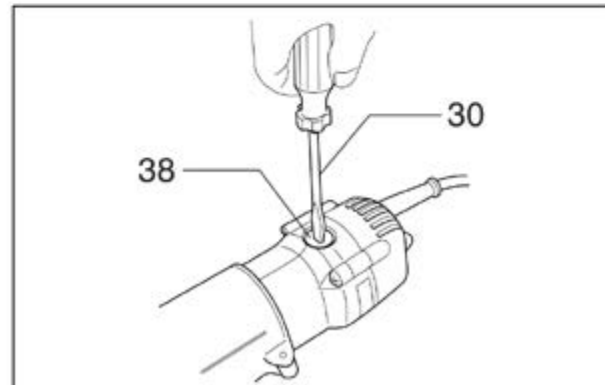
18



19



20



21

Explanation of general view

1 Loosen	14 Correct bit feed direction	26 Clamp screw (B)
2 Tighten	15 Trimmer shoe, straight guide or trimmer guide	27 Trimmer guide
3 Hold	16 Bolt	28 Bit
4 Base	17 Guide plate	29 Guide roller
5 Adjusting roller	18 Straight guide	30 Screwdriver
6 Bit protrusion	19 Flat washer*	31 Base protector
7 Lever	20 Wave washer*	32 Screws
8 Scale	21 Wing nut	33 Straight bit
9 Switch lever	22 Clamp screw (A)	34 Templet
10 Workpiece	23 Centre hole	35 Distance (X)
11 Feed direction	24 Nail	36 Templet guide 10
12 Bit revolving direction	25 Adjusting screw	37 Limit mark
13 View from the top of the tool		38 Brush holder cap

*Accessories shown or described are not part of the standard delivery scope of the product. A complete overview of accessories can be found in our accessories program.

PR6		
Power input	W	550
No load speed	min ⁻¹	32.000
Collet	mm	6
Routing depth	mm	0-40
Weight	Kg	1.8

These data are valid for nominal voltages of [U] 230/240 V ~ 50/60 Hz – 110/120 V ~ 60 Hz. These values may change if the voltage was lower and in the specific embodiments for certain countries.

- Due to the continuing program of research and development, the specifications herein are subject to change without prior notice.
- Note: Specifications may differ from country to country.

Intended use

The tool is intended for flush trimming and profiling of wood, plastic and similar materials.

Power supply

The tool should be connected only to a power supply of the same voltage as indicated on the nameplate, and can only be operated on single-phase AC supply. They are double-insulated in accordance with European Standard and can, therefore, also be used from sockets without earth wire.

Safety hints

For your own safety, please refer to enclosed safety instructions.

ADDITIONAL SAFETY RULES

1. Hold tool by insulated gripping surfaces when performing an operation where the cutting tool may contact hidden wiring or its own cord. Contact with a "live" wire will make exposed metal parts of the tool "live" and shock the operator.
2. Wear hearing protection during extended period of operation.
3. Handle the bits very carefully.
4. Check the bit carefully for cracks or damage before operation.
Replace cracked or damaged bit immediately.
5. Avoid cutting nails. Inspect for and remove all

nails from the workpiece before operation.

6. Hold the tool firmly.
7. Keep hands away from rotating parts.
8. Make sure the bit is not contacting the workpiece before the switch is turned on.
9. Before using the tool on an actual workpiece, let it run for a while.
Watch for vibration or wobbling that could indicate improperly installed bit.
10. Be careful of the bit rotating direction and the feed direction.
11. Do not leave the tool running. Operate the tool only when hand-held.
12. Always switch off and wait for the bit to come to a complete stop before removing the tool from workpiece.
13. Do not touch the bit immediately after operation; it may be extremely hot and could burn your skin.
14. Always lead the power supply cord away from the tool towards the rear.
15. Do not smear the tool base carelessly with thinner, gasoline, oil or the like.
They may cause cracks in the tool base.
16. Draw attention to the need to use cutters of the correct shank diameter and which are suitable for the speed of the tool.

SAVE THESE INSTRUCTIONS.

OPERATING INSTRUCTIONS

Installing or removing trimmer bit (Fig. 1)

Important:

Always be sure that the tool is switched off and unplugged before installing or removing the bit.

Insert the bit all the way into the collet cone and tighten the collet nut securely with the two wrenches. To remove the bit, follow the installation procedure in reverse.

CAUTION:

- Do not tighten the collet nut without inserting a bit, or the collet cone will break.
- Use only the wrenches provided with the tool.

Adjusting bit protrusion (Fig. 2 & 3)

To adjust the bit protrusion, loosen the lever and move the tool base up or down as desired by pressing and turning the adjusting roller. After adjusting, tighten the lever firmly to secure the tool base.

Switch action (Fig. 4)

CAUTION:

Before plugging in the tool, always be sure that the tool is switched off.

To start the tool, move the switch lever to the "I" (ON) position. To stop the tool, move the switch lever to the "0" (OFF) position.

The tool equipped with electronic function is easy to operate because of the following features.

Operation

- Set the tool base on the workpiece to be cut without the bit making any contact. Then turn the tool on and wait until the bit attains full speed. Move the tool forward over the workpiece surface, keeping the tool base flush and advancing smoothly until the cutting is complete.

- When doing edge cutting, the workpiece surface should be on the left side of the bit in the feed direction. (Fig. 5)

NOTE:

- Moving the tool forward too fast may cause a poor quality of cut, or damage to the bit or motor. Moving the tool forward too slowly may burn and mar the cut. The proper feed rate will depend on the bit size, the kind of workpiece and depth of cut. Before beginning the cut on the actual workpiece, it is advisable to make a sample cut on a piece of scrap lumber. This will show exactly how the cut will look as well as enable you to check dimensions.

- When using the trimmer shoe, the straight guide or the trimmer guide, be sure to keep it on the right side in the feed direction. This will help to keep it flush with the side of the workpiece. (Fig. 6)

CAUTION:

Since excessive cutting may cause overload of the motor or difficulty in controlling the tool, the depth of cut should not be more than 3 mm at a pass when cutting grooves. When you wish to cut grooves more than 3 mm deep, make several passes with progressively deeper bit settings

Straight guide

The straight guide is effectively used for straight cuts when chamfering or grooving. (Fig. 7)

Attach the guide plate to the straight guide with the bolt and the wing nut. (Fig. 8)

Attach the straight guide with the clamp screw (A). Loosen the wing nut on the straight guide and adjust the distance between the bit and the straight guide. At the desired distance, tighten the wing nut securely. (Fig. 9)

When cutting, move the tool with the straight guide flush

with the side of the workpiece.

If the distance (A) between the side of the workpiece and the cutting position is too wide for the straight guide, or if the side of the workpiece is not straight, the straight guide cannot be used. In this case, firmly clamp a straight board to the workpiece and use it as a guide against the trimmer base. Feed the tool in the direction of the arrow. (Fig. 10)

Circular work

- Circular work may be accomplished if you assemble the straight guide and guide plate as shown in Fig. 11 or 12.

Fig. 11 for cutting circles between 70 mm and 121 mm in radius.

Fig. 12 for cutting circles between 121 mm and 221 mm in radius.

NOTE:

Circles between 172 mm and 186 mm in radius cannot be cut using this guide.

- Min. and max. radius of circles to be cut (distance between the centre of circle and the centre of bit) are as follows:

Min.: 70 mm

Max.: 221 mm

Align the centre hole in the straight guide with the centre of the circle to be cut. Drive a nail less than 6 mm in diameter into the centre hole to secure the straight guide. Pivot the tool around the nail in clockwise direction. (Fig. 13)

Trimmer guide

Trimming, curved cuts in veneers for furniture and the like can be done easily with the trimmer guide. The guide roller rides the curve and assures a fine cut. (Fig. 14)

Install the trimmer guide on the tool base with the clamp screw (A). Loosen the clamp screw (B) and adjust the distance between the bit and the trimmer guide by turning the adjusting screw (1 mm per turn). At the desired distance, tighten the clamp screw (B) to secure the trimmer guide in place. (Fig. 15)

When cutting, move the tool with the guide roller riding the side of the workpiece. (Fig. 16)

MAINTENANCE

CAUTION:

Always be sure that the tool is switched off and unplugged before carrying out any work on the tool.

Replacing carbon brushes

Remove and check the carbon brushes regularly. Replace when they wear down to the limit mark. Keep the carbon brushes clean and free to slip in the holders. Both carbon brushes should be replaced at the same time. Use only identical carbon brushes. (Fig. 20)

Use a screwdriver to remove the brush holder caps. Take

out the worn carbon brushes, insert the new ones and secure the brush holder caps. (Fig. 21)

2004/108/EC, 2006/42/EC.

To maintain product SAFETY and RELIABILITY, repairs, any other maintenance or adjustment should be performed by Stayer Authorized or Factory Service Centres, always using Stayer replacement parts.

Signed: Ramiro de la Fuente
Director General



CE  RoHS

After-sales Service and Customer Assistance

Our after-sales service responds to your questions concerning maintenance and repair of your product as well as spare parts.

January, 2017

Our customer service representatives can answer your questions concerning possible applications and adjustment of products and accessories.

Stayer Ibérica S.A.

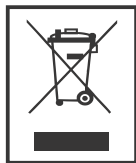
Area Empresarial de Andalucía - Sector 1
Calle Sierra de Cazorra 7
28320 Pinto, Madrid (Spain)

Disposal

The machine, accessories and packaging should be sorted for environmental-friendly recycling.

Do not dispose of power tools into household waste!

Only for EC countries:



According the European Guideline 2002/96/EC for Waste Electrical and Electronic Equipment and its implementation into national right, power tools that are no longer usable must be collected separately and disposed of in an environmentally correct manner.

EC Declaration of Conformity

The undersigned:

STAYER IBERICA, S.A.

Whit address at:

Calle Sierra de Cazorra, 7
Área Empresarial Andalucía - Sector 1
28320 PINTO (MADRID)
Tel.: +34 91 691 86 30 / Fax: +34 91 691 91 72

CERTIFIES

That the machine:

Type:

TRIMMER ROUTER

Model:

PR6

We declare under our sole responsibility that the product described under "Technical Data" is in conformity with the following standards or standardization documents: EN 60745 according to the provisions of the directives



STAYER

Área Empresarial Andalucía - Sector 1
C/ Sierra de Cazorla, 7
28320 - Pinto (Madrid) SPAIN
Email: sales@grupostayer.com
Email: info@grupostayer.com



www.grupostayer.com