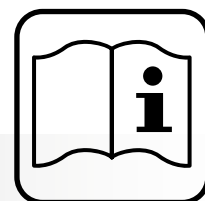




# STAYER

- ES** Manual de instrucciones
- IT** Istruzioni d'uso
- GB** Operating instructions
- DE** Bedienungsanleitung
- FR** Instructions d'emploi
- P** Manual de instruções
- TR** Kullanma Kilavuzu
- PL** Instrukcja obsługi

**S90PE**  
**S110PE**  
**S110PEK**  
**S L18**  
**JS55BE**  
**JS70PE**  
**JS80PE**

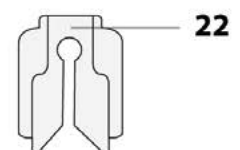
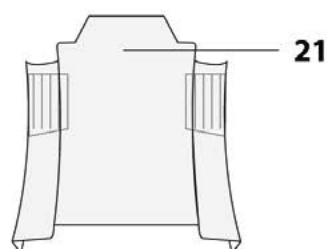
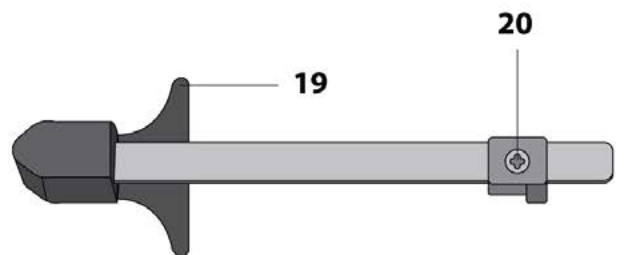
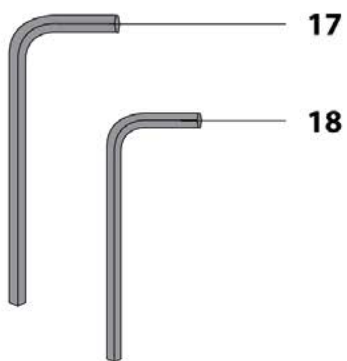
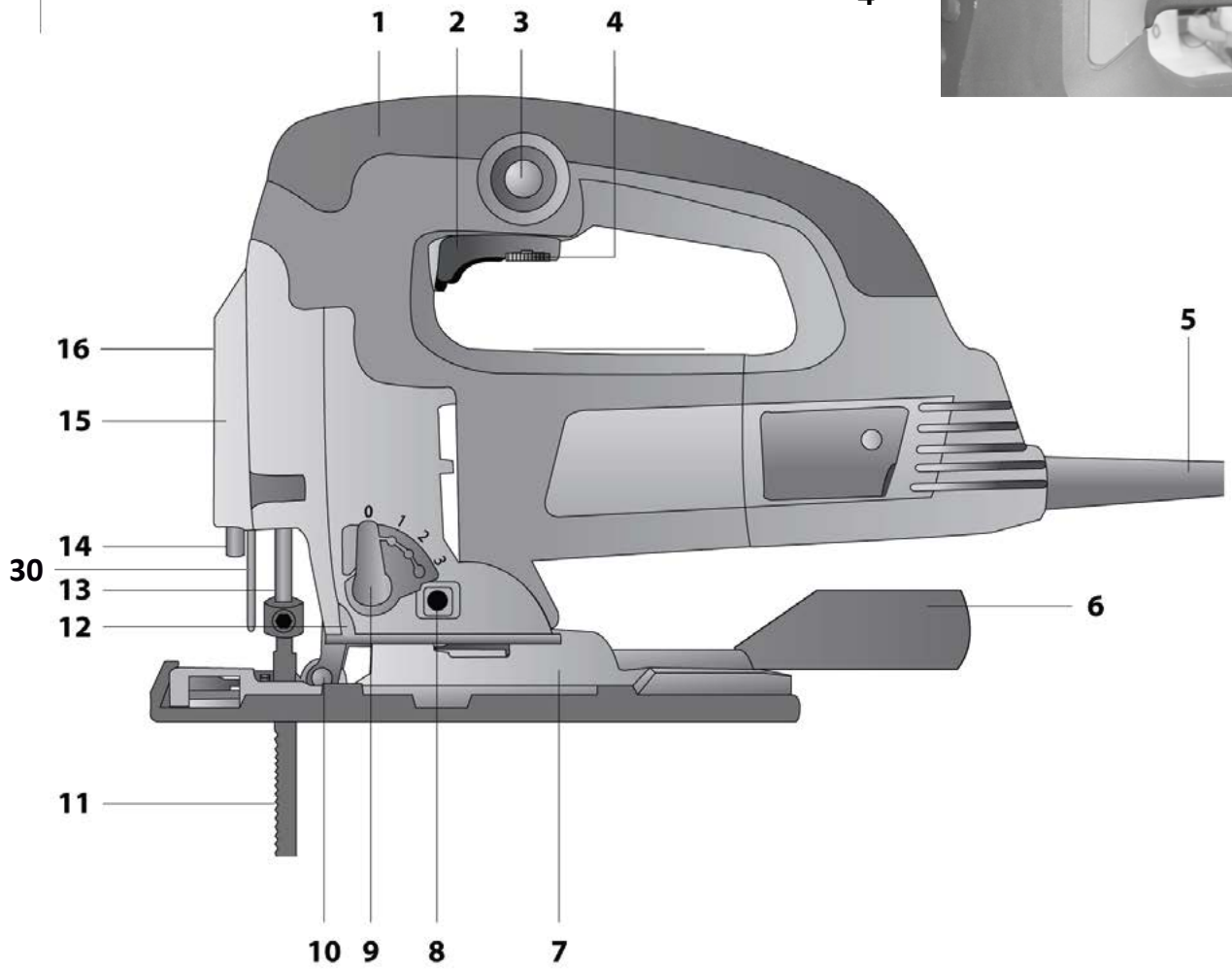
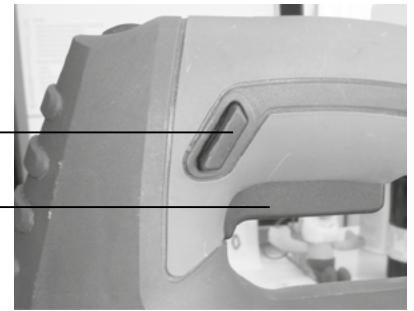


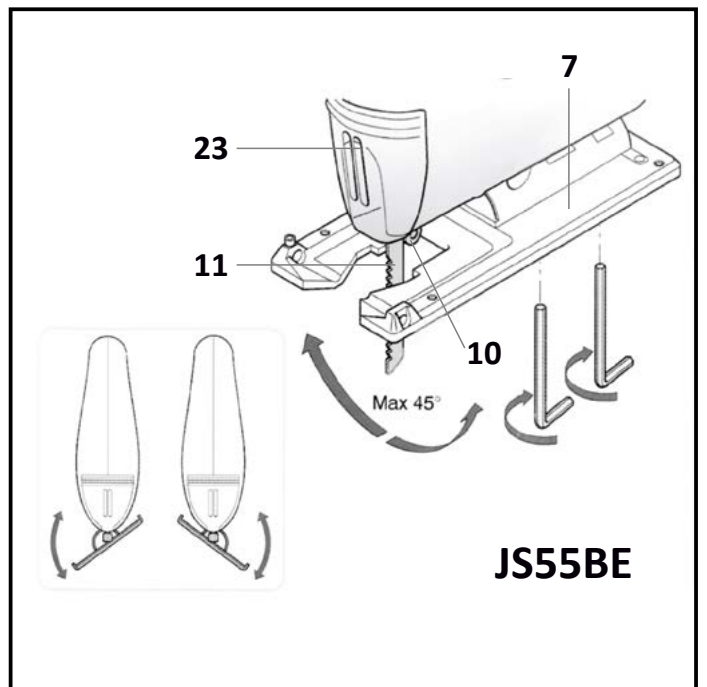
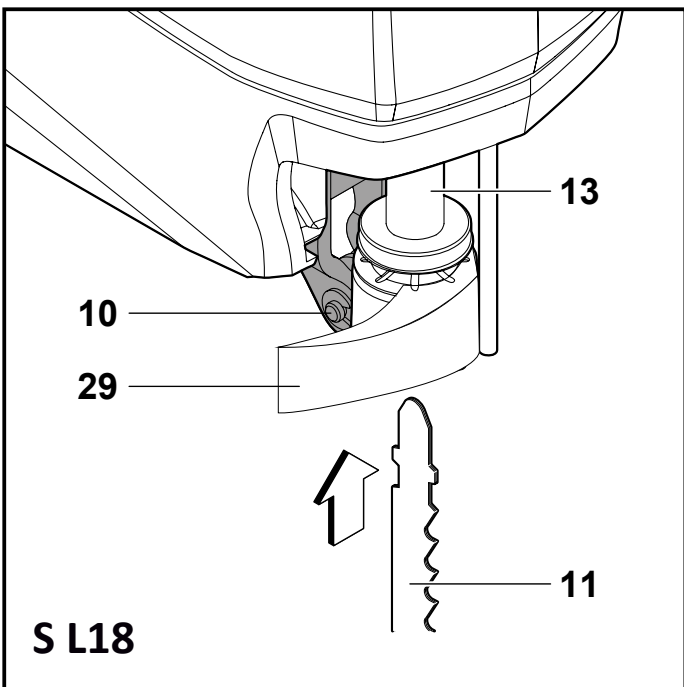
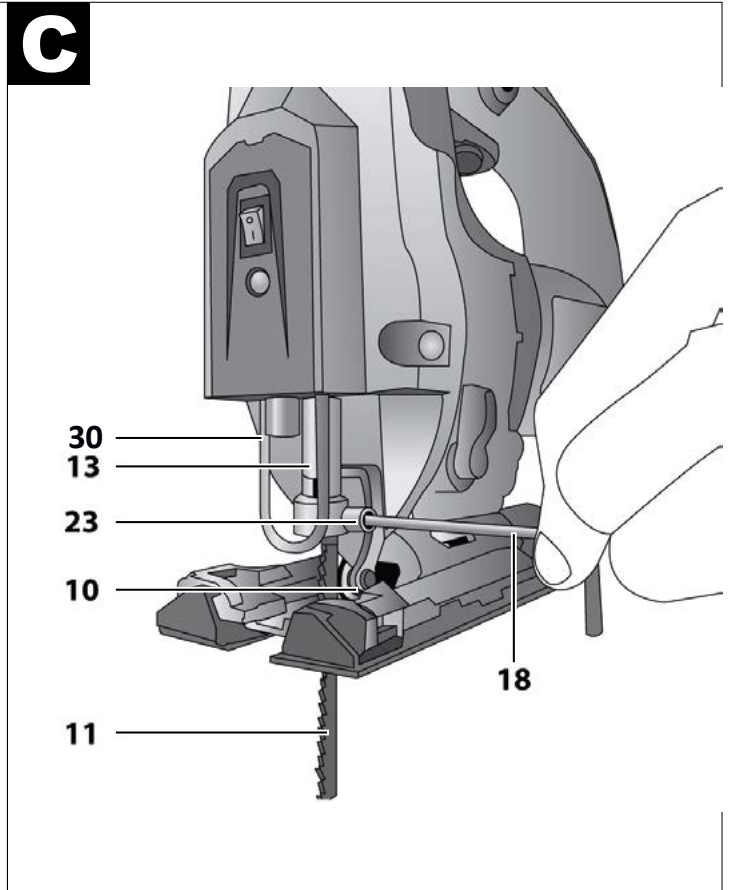
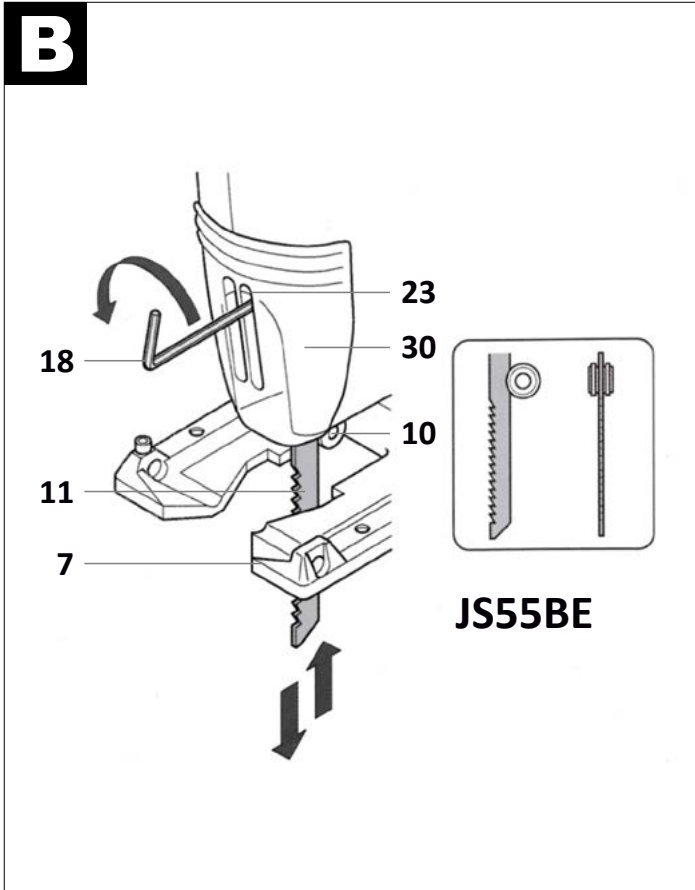
Área Empresarial Andalucía - Sector 1  
C/ Sierra de Cazorla, 7  
28320 - Pinto (Madrid) SPAIN  
Email: sales@grupostayer.com  
Email: info@grupostayer.com

[www.grupostayer.com](http://www.grupostayer.com)

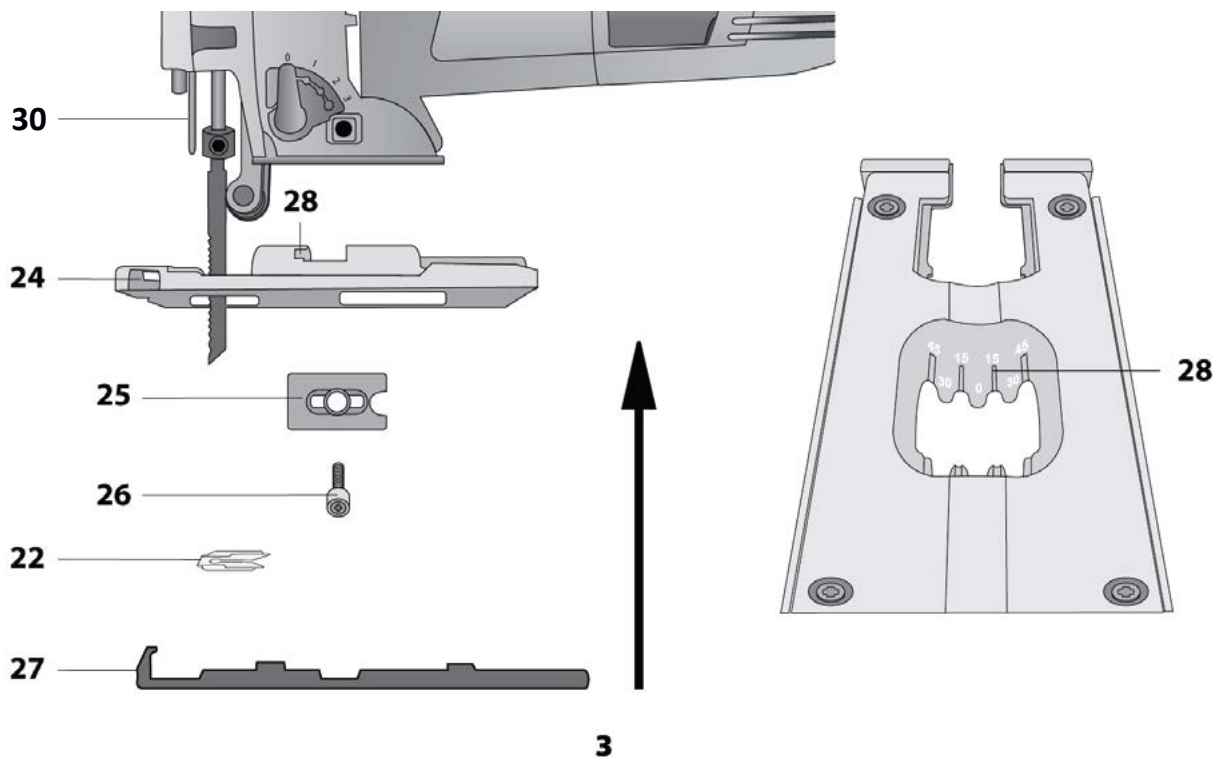
**A**

**S90PE**

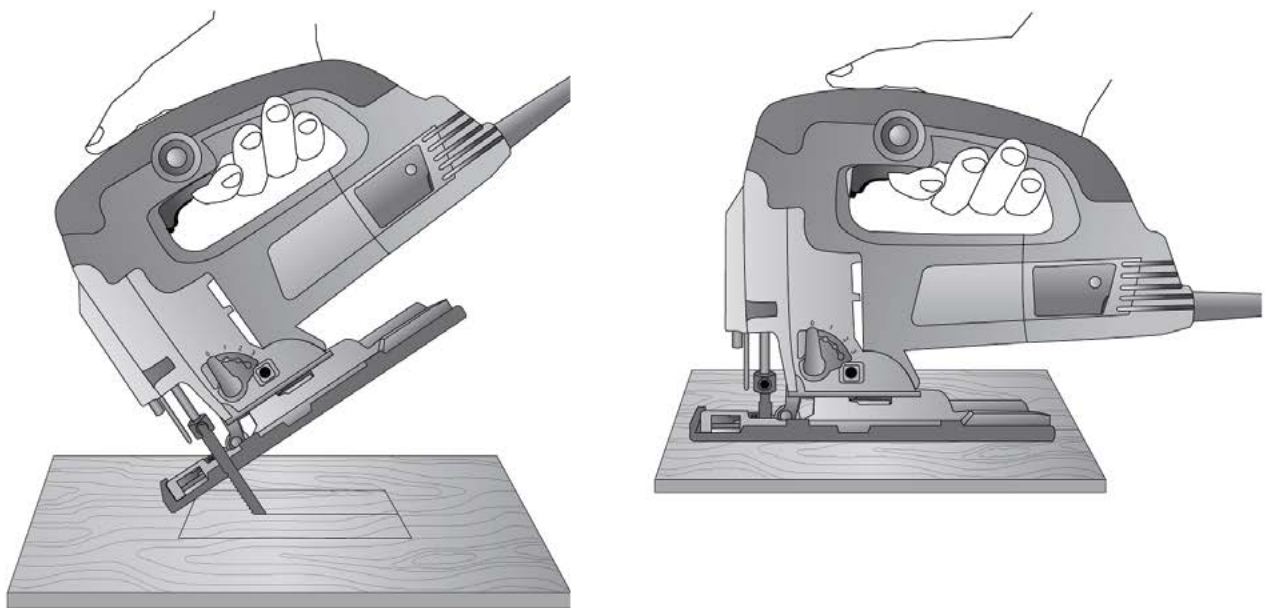




**D**

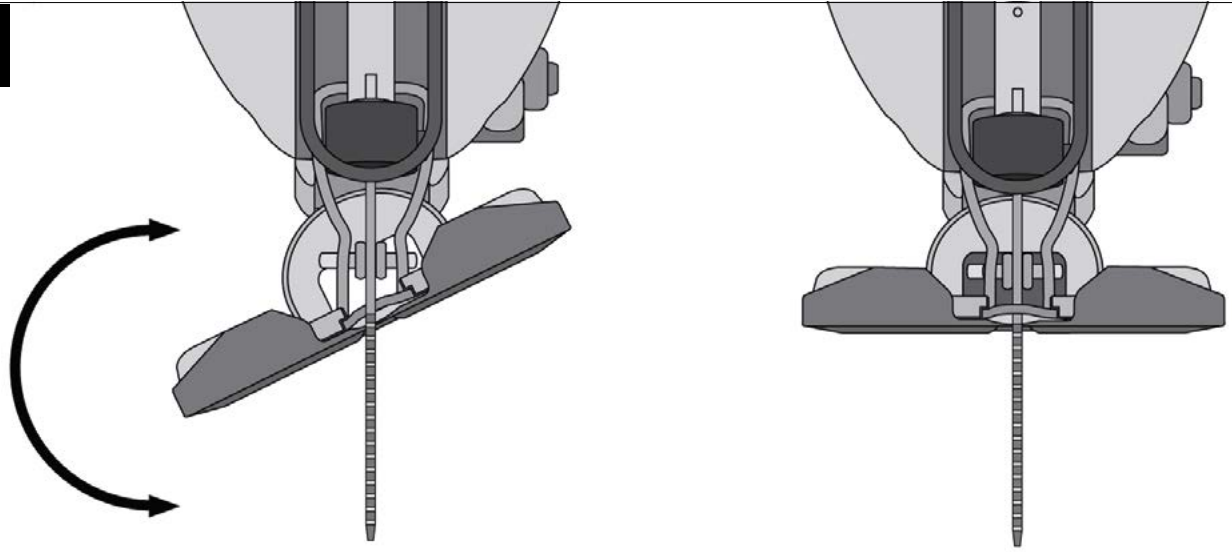


**E**




---

**F**



**Technical Data**

Jigsaw		JS55BE	JS70PE	JS80PE	S110PE S110PEK	S90PE	S L18
Rater power input	W/V	450 W	570 W	710 W	780 W	800 W	18 V
Stroke rate at no load	min <sup>-1</sup>	0-3000	800-2800	800-2800	0-3000	0-3000	0-2600
in wood	mm	55	65	80	110	80	70
in aluminium	mm	6	10	16	20	8	8
in non alloy steel	mm	3	8	10	8	10	5
Bevel cuts (left/right), max.	°	0-45	0-45	0-45	0-45	0-45	0-45
Weight	kg	1.8	2	2.3	2.9	2.3	1.2
Protection class		II	II	II	II	II	II

The values given are valid for nominal voltages [U] 230/240 V ~ 50/60 Hz - 110/120 V ~ 60Hz. For lower voltage and models for specific countries, these values can vary.

**Noise/Vibration Information**

Measured values determined according to EN 60745. Typically the A-weighted noise levels of the product are:

Sound pressure level 82 dB(A) / Sound power level 93 dB(A) / Uncertainty K= 3 dB

**Wear hearing protection!**

Vibration total values (triax vector sum) determined according to EN 60745:

Cutting wood: Vibration emission value  $a_h$  4,5 m/s<sup>2</sup> / Uncertainty K= 1,5 m/s<sup>2</sup>

Cutting sheet metal: Vibration emission value  $a_h$  4 m/s<sup>2</sup> / Uncertainty K=1,5 m/s<sup>2</sup>

## General Power Tool Safety Warnings

- **Keep hands away from the sawing range. Do not reach under the workpiece.** Contact with the saw blade can lead to injuries.
- **Apply the machine to the workpiece only when switched on.** Otherwise there is danger of kickback when the cutting tool jams in the workpiece.
- **Pay attention that the base plate rests securely on the material while sawing.** A jammed saw blade can break or lead to kickback.
- **When the cut is completed, switch off the machine and then pull the saw blade out of the cut only after it has come to a standstill.** In this manner you can avoid kickback and can place down the machine securely.
- **Use only sharp, flawless saw blades.** Bent or unsharp saw blades can break or cause kickback.
- **Do not brake the saw blade to a stop by applying side pressure after switching off.** The saw blade can be damaged, break or cause kickback.
- **Use suitable detectors to determine if utility lines are hidden in the work area or call the local utility company for assistance.** Contact with electric lines can lead to fire and electric shock. Damaging a gas line can lead to explosion. Penetrating a water line causes property damage or may cause an electric shock.
- **Hold the power tool only by the insulated gripping surfaces when performing an operation where the cutting tool may contact hidden wiring or its own cord.** Contact with a "live" wire will also make exposed metal parts of the power tool "live" and shock the operator.
- **Secure the workpiece.** A workpiece clamped with clamping devices or in a vice is held more secure than by hand.
- **Keep your workplace clean.** Blends of materials are particularly dangerous. Dust from light alloys can burn or explode.
- Always wait until the machine has come to a complete stop before placing it down. The tool insert can jam and lead to loss of control over the power tool.
- Never use the machine with a damaged cable. Do not touch the damaged cable and pull the mains plug when the cable is damaged while working. Damaged cables increase the risk of an electric shock.

## General Power Tool Safety Warnings



**Read all safety warnings and all instructions.** Failure to follow the warnings and instructions may result in electric shock, fire and/or serious injury.

While reading the operating instructions, unfold the graphics page for the machine and leave it open.

## Intended Use

The machine is intended for making separating cuts and cut-outs in wood, plastic, metal, ceramic plates and rubber while resting firmly on the workpiece. It is suitable for straight and curved cuts with mitre angles to 45°. The saw blade recommendations are to be observed.

## illustrated description

1. Handle
2. On/Off switch
3. Setting button I/O
4. Turning knob for stroke rate selection
5. Power cable with power plug
6. Vacuum connection adapter
7. Saw foot
8. Vacuum flow control
9. Pendular stroke setting 0/I/II/III
10. Guiding roller
11. Saw blade
12. Side grooves
13. Saw blade holder
14. Laser guide
15. Laser battery compartment
16. I/O laser switch
- Accessories
17. Large allen key
18. Small allen key
19. Parallel cut guide
20. Tightening screw of the parallel guide
21. Cover
22. Plastic guide
- 23 Tightening screw
24. Guideway opening
25. Underlying disc
26. Tightening screw
27. Plastic cover for saw foot
28. Angle scale
29. SDS lever insertion
30. Protection against contact.

## Assembling the jigsaw

### Mounting the cover

#### Danger of injury!

- Before performing any work on the electric power tool, disconnect the power plug from the outlet.
- Put the cover (21) before connecting the jigsaw to the power outlet.

### Removing the cover

- Pull one side of the cover out of the groove (12), and then pull the other side out in the same way.

### Attaching the cover

- Push it in between the free space, in front of the saw blade, between the sawfoot (7) and the case. While pushing the cover in position, insert the right side of the cover into the groove (12) on the right side of the jigsaw.

- Place the other side of the cover on the left side groove (12). Push the cover until it is completely locked in place.

**Note: The cover (21) can only be used when cutting flat, for angled cuttings the cover (21) must be removed. In this case please use extreme caution when handling the jigsaw.**

### Inserting/changing the saw blade ( ill. B/C)

- To replace the saw blade (11), use the small allen key (18).
- Remove the cover (21).
- Loosen the screw (23) of the saw blade holder (13) until the saw blade can easily be pulled out from the saw blade holder (13).
- Push the new saw blade into the saw blade holder (13). Position the saw blade teeth in the sawing direction! Make sure that the back of the saw blade is in the middle groove of the guiding roller (10).
- Tighten the screw (23) of the saw blade holder (13). Make sure that the saw blade is always firmly attached to the saw blade holder (13).

### Inserting/changing the saw blade JS55BE (ill. B)

- To replace the saw blade (11), use the allen key (18).
- Place the cover against projections (21) in a comfortable position to insert the allen key (18)
- Loosen the screws (23) for holding the saw blade until the cutting saw can be easily removed from its bracket.
- Push the new saw blade into the saw blade holder (10). Position the saw blade teeth in the sawing direction! Make sure that the back of the saw blade is in the middle groove of the guiding roller (10).
- Tighten the screw (23) of the saw blade holder. Make sure that the saw blade is always firmly attached to the saw blade holder.

### Danger of injury!

- Disconnect the power plug (5) before inserting/changing saw blade.
- Due to friction, the saw blade can become very hot during operation! Wait a little while, until the saw blade has cooled down. Danger of burns!
- The teeth of the saw blade are very sharp!
- Make sure that the saw blade is always firmly attached to the saw blade holder.
- When storing the jigsaw remove the saw blade from the saw blade holder.

## Operation

### Protective clothing

- If possible, wear designated gloves for protection from splinters and shavings.
- While working, wear designated protective goggles. Flying shavings can cause injury.
- Wear hearing protection for protection against continuous noise in the work place.
- Wear a designated dust mask for protection against airborne dust.

### Danger of accidents!

- Make sure that the On/Off switch (2) is not pressed down or locked by the setting button (3). Connect the power plug to a corresponding power outlet.
- Switch the jigsaw on only with an inserted saw blade (11).
- Use only flawless saw blades. Immediately replace blunt, twisted, or cracked saw blades.
- Pay attention when working that the air vents are not covered up or congested.
- After switching the power tool off, do not decelerate the saw blade by pressing the blade sideways against a foreign body (i.e. wood, metal etc).
- Danger of backlash! Only put the power tool away after the saw blade comes to a complete standstill.

### Switching On/Off

- Switching the jigsaw On.

### Short-time operation:

Keep the On/Off switch pressed Jigsaw starts up Release the On/Off switch Jigsaw stops.

### Long-time operation:

Keep the On/Off switch (2) pressed and press the setting button (3) ( I ) Jigsaw runs in long-time operation.

Before the saw blade (11) comes in contact with the workpiece, allow the saw blade to run until the full speed is reached. Then guide the saw blade slowly along the sawing line.

### Danger of accident!

- Should the power tool fall out of your hand during longterm operation, it will not be automatically switched off. In this case, immediately pull out the power plug (5) from the power outlet.

### - Switching the jigsaw off:

Press the On/Off switch once. The setting button (3) will automatically be released ( 0 ). Jigsaw stops

### Pendular stroke setting

#### S110PE/S110PEK/JS80PE

When set to the pendular stroke, there will be a forward and backward movement in addition to the up and down movement of the saw blade. Through this, the saw accelerates and the saw blade will be protected from damage.

### Set the switch 0 / I / II / III (9) to one of the following positions:

Position	Pendular motion	Material	Comment
0	No pendular motion	Rubber, ceramic, aluminium, steel	For fine/clean cutting edges, thin materials (i.e. laminations), hard materials
I	Low pendular motion	Plastic, wood, aluminium	Hard materials
II	Medium pendular motion	Wood	
III	Large pendular motion	Wood	Soft materials, saw along the fiber direction



**Tip:** The best combination of stroke rate and pendular stroke setting is dependent upon the workpiece. We recommend to perform a test run on a piece of scrap material. This way the most appropriate setting can be found.

### Setting the stroke rate

The stroke rate indicates the number of the up and down movements per minute of the saw blade. The required stroke rate depends on the work load and workpiece. On one hand, an adequate working speed should be reached, on the other, a clean cut should be achieved.

- Select the desired speed with the turning knob (4):
- To increase the speed turn the knob counterclockwise. To decrease the speed turn the knob clockwise.
- With fine saw blades a higher stroke rate can be used; rough saw blades require lower speed.
- After using the jigsaw for a longer period with a high stroke rate, the power tool can heat up intensely - allow the power tool to cool down for 3 minutes running idle at maximum speed.

### Straight cut ( ill. F)

When using the jigsaw to perform straight cuts, remember to attach the cover (21), plastic guide (22) and the plastic sawfoot cover (28). The use of the plastic guide (22) will prevent the sawblade from swinging during the cut.

### Angle cut

Setting the cutting angle (ill. D/F)

- The preset angle between the saw foot (7) and saw blade (11) is 90°. You can adjust this angle on both sides gradually to 15°/30°/45° using angle scale (28) as reference.

### Danger of accidents!

- Pull out the power plug (5) from power outlet before setting the angle cut.
- The teeth of the saw blades are very sharp!
- Use the large allen key (17) to set the sawing angle.
- Loosen the tightening screw (26) with the allen key far enough so that the saw foot (7) can be easily turned.
- For straight cuts (0°) the angle scale (28) should be set to 0°. For angle cuts set the scale to value between 1° and 45°.
- Set the saw foot to the desired position 15°/30°/45° on the angle scale (28).
- After the angle is set push the saw foot (7) down until is locked in place.
- Retighten the tightening screw (26) with the large allen key (17).

### Dip sawing ( ill. E)

Only soft working materials, such as wood or plaster cardboard, may be used for dip sawing! For dip sawing, only use short saw blades and always set the sawing angle to 0°.

- Place the peak of the saw blade (11) and the front parts of the saw foot (7) on the workpiece.
- Switch the jigsaw on and allow the saw blade to run.
- Slowly reduce the angle of support of the saw foot in the direction of the workpiece. The saw blade „dips“ into the area to be cut out. At this time, the power tool may not be moved sideways.

- As soon as the saw foot lies smoothly on the workpiece, you can begin sawing.

### Sawing out areas

- With a drill, drill a sufficiently large hole inside of the area to be sawed out.
- Guide the saw blade (11) into this hole and begin to saw out the desired area.
- Use the laser guide (14) to obtain more precise cuts.

### Mounting the parallel guide

The parallel lines can be sawed with miter-precise intervals using a parallel guide (19). Parallel cuts are only available when the angle of the saw foot is set to 0° and the plastic cover for sawfoot (27) is removed.

- Using screwdriver loosen the tightening screw of the parallel guide (20).
- Push the parallel guide into the guideway opening (24). The parallel guide can be inserted in the left or right side of the power tool.
- Align the guide rail and retighten the tightening screw (20).

### Laser guide

**S110PE/S110PEK/JS80PE**



#### **DANGER LASER RADIATION**

**Do not look directly into the beam. Laser specification according to EN60825-1: 2015: CLASS 2. Wavelength: 650nm / Power: <1mW**

The built-in laser guide is intended to obtain a precision cut. Use the laser guide (14) every time the work requires precision cuts, as when following pre-drawn lines on a surface.

- Set the I/O laser switch (16) to the position I to activate the laser guide (14).
- Press the On/Off switch (2), and start cutting the workpiece following the predrawn linewith the projected laser line on the surface.

### Metal cutting

When sawing metal, because of the heating up of the material, apply e.g. a cool lubricant along the cutline.

- Lightly grease the cut-line with suitable oil.

## Maintenance and Service

### Maintenance and Cleaning.

- **Before any work on the machine itself, pull the mains plug.**
- **For safe and proper working, always keep the machine and ventilation slots clean.**

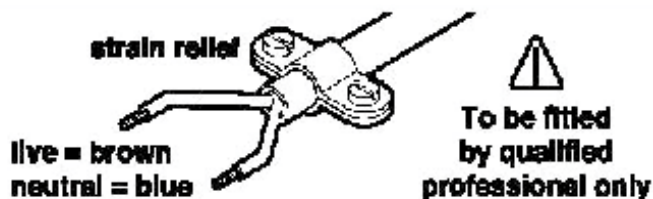
Clean the saw blade holder regularly. For this, remove the saw blade from the machine and lightly tap out the machine on a level surface.

Heavy contamination of the machine can lead to malfunctions. Therefore, do not saw materials that produce a lot of dust from below or overhead.

- In extreme working conditions, conductive dust can accumulate in the interior of the machine when working with metal. The protective insulation of the machine can be degraded. The use of a stationary extraction system is recommended in such cases as well as frequently blowing out the ventilation slots and installing a residual current device (RCD).

Lubricate the guide roller (10) occasionally with a drop of oil. Check the guide roller (10) regularly. If worn, it must be replaced through an authorised Stayer after-sales service agent.

**WARNING! Important instructions for connecting a new 3-pin plug to the 2-wire cable. The wires in the cable are coloured according to the following code:**



Do **not** connect the blue or brown wire to the earth terminal of the plug.

**Important:** If for any reason the moulded plug is removed from the cable of this power tool, it must be disposed of safely.

If the machine should fail despite the care taken in manufacturing and testing procedures, repair should be carried out by an after-sales service centre for Stayer power tools.

### Repair service of the manufacturer or commercial agent

Stayer Ibérica S.A.  
Área Empresarial de Andalucía - Sector 1  
Calle Sierra de Cazorla nº7.  
CP: 28320. Pinto (Madrid) Spain.

### Disposal



It is compulsory to subject electric tools, accessories and packaging to a recovery process that respects the environment.

For EU countries only:

**Do not throw away electric tools!**

In accordance with European Directive 2012/19/CE on unserviceable electric and electronic apparatus, after its transposition into national law, they must be collected separately to subject them to ecologic recycling. The right to amendment is reserved.

## Declaration of Conformity

The undersigned: STAYER IBÉRICA, S.A.  
With address at:  
Calle Sierra de Cazorla, 7  
Área Empresarial Andalucía - Sector 1  
28320 PINTO (MADRID)  
Tel.: +34 902 91 86 81 / Fax: +34 91 691 91 72

### CERTIFIES

That the machine:

Type: **Jigsaw**

Models:  
**S110PE / S110PEK / S90PE / SL18 / JS70PE / JS80PE  
JS55BE**

We declare under our sole responsibility that the product described under "Technical Data" is in conformity with the following standards or standardization documents: EN 60745-1, EN 60745-2-11, EN 55014-1, EN 55014-2, EN 61000-3-2, EN 61000-3-3, according to the provisions of the directives 2006/42/CE, 2014/30/EU, 2011/65/EU.

January 2017

**CE**  **RÖHS**  
**Ramiro de la fuente**  
Director Manager.



**STAYER**

Área Empresarial Andalucía - Sector 1  
C/ Sierra de Cazorla, 7  
28320 - Pinto (Madrid) SPAIN  
Email: [sales@grupostayer.com](mailto:sales@grupostayer.com)  
Email: [info@grupostayer.com](mailto:info@grupostayer.com)



[www.grupostayer.com](http://www.grupostayer.com)