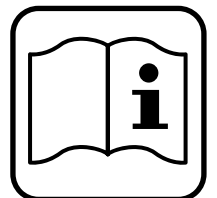




STAYER

- ES** Manual de instrucciones
- IT** Istruzioni d'uso
- GB** Operating instructions
- P** Manual de instruções
- PL** Instrukcja obsługi

VVAC2075

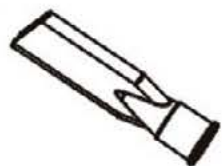
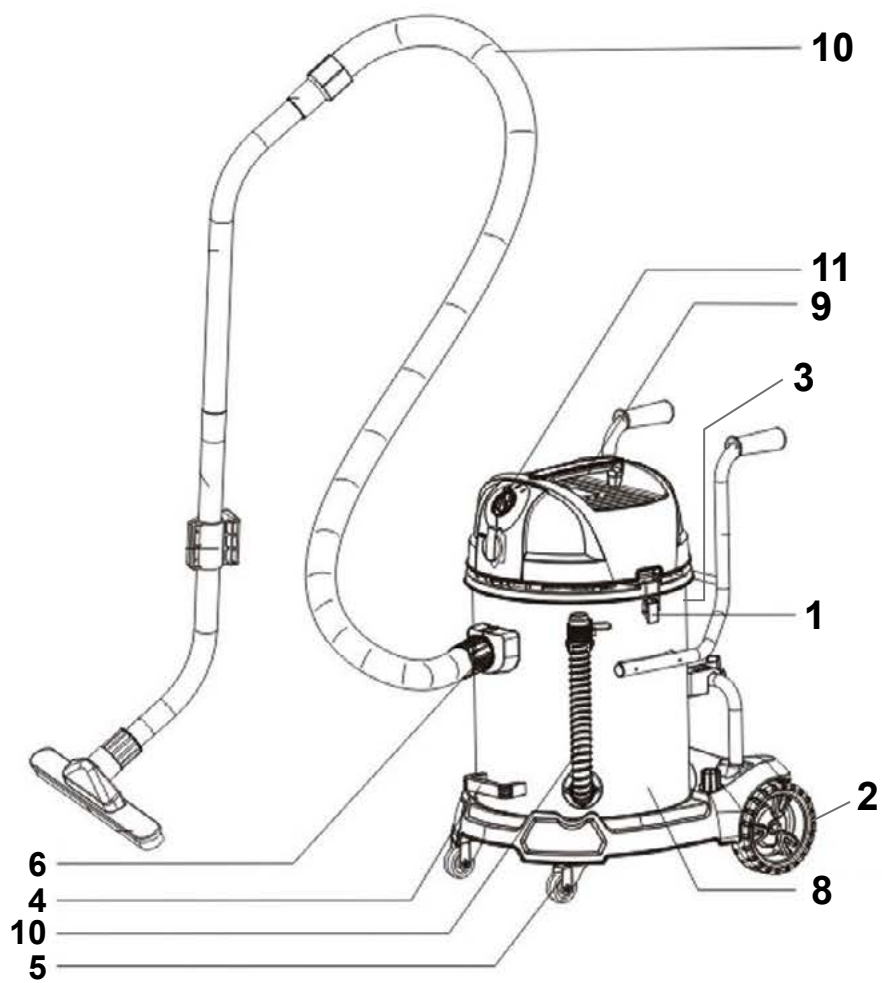


STAYER

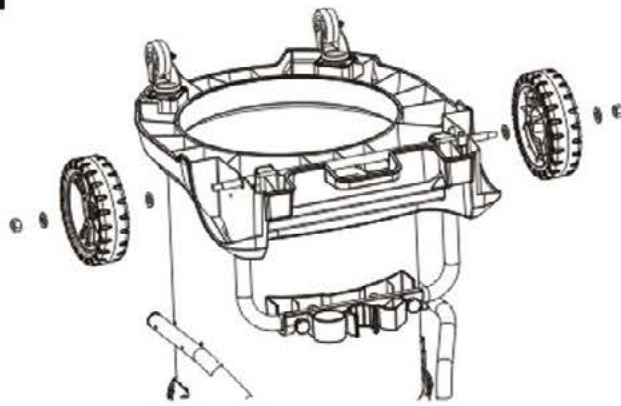
Área Empresarial Andalucía - Sector 1
C/ Sierra de Cazorra, 7
28320 - Pinto (Madrid) SPAIN
Email: sales@grupostayer.com
Email: info@grupostayer.com

www.grupostayer.com

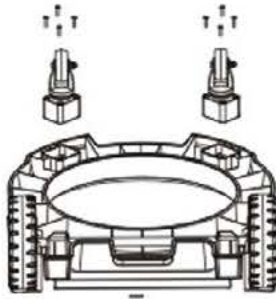
1



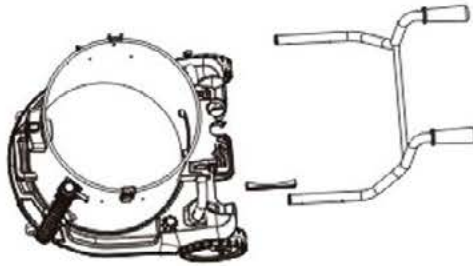
1



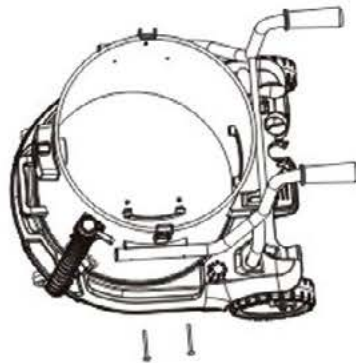
2



3

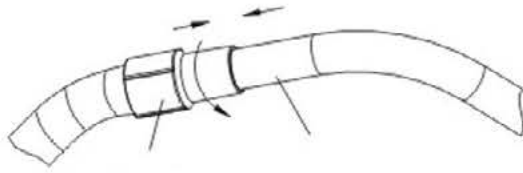


4

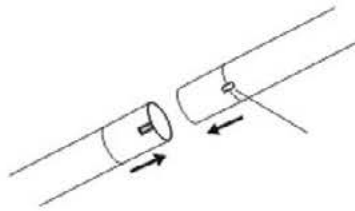


3

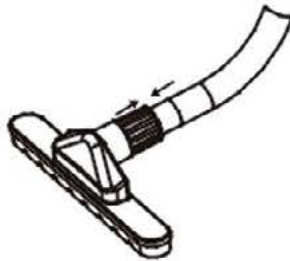
1



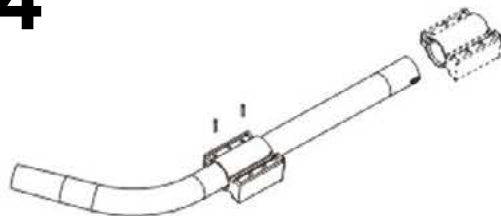
2

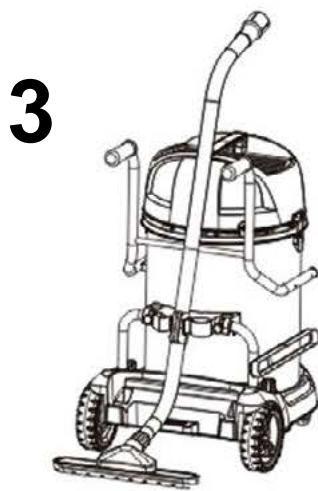
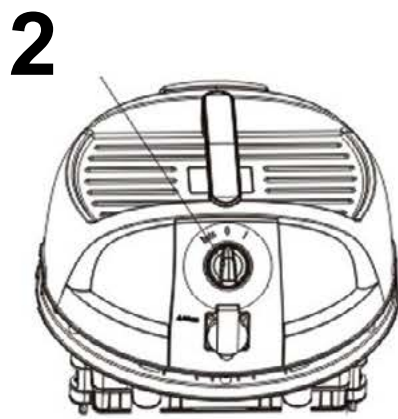
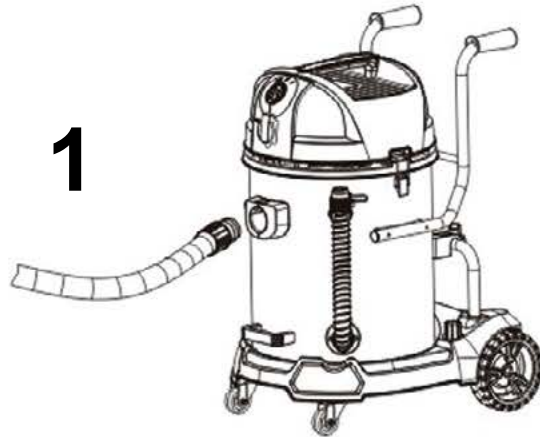


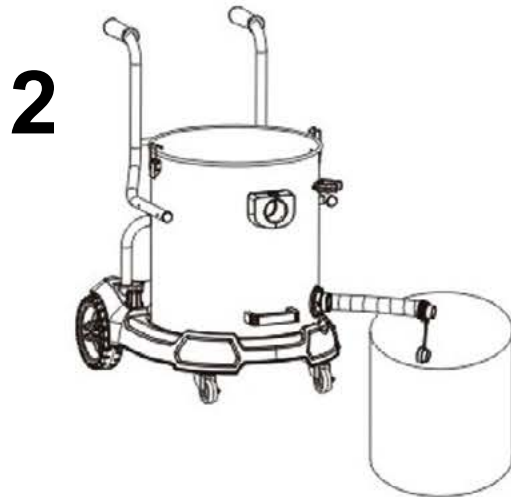
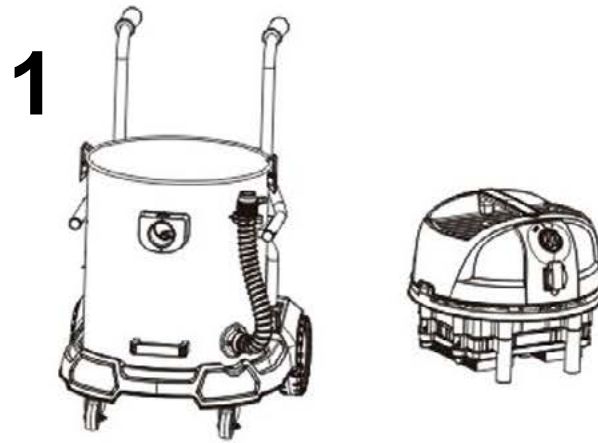
3



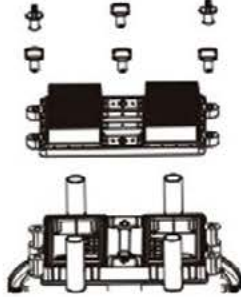
4



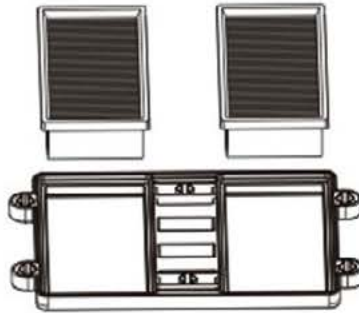




1



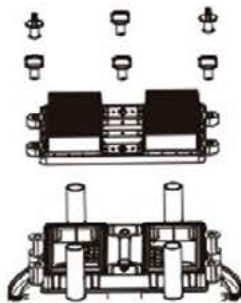
2



3



4



FUNCTIONAL DESCRIPTION (FIG.1)

1. Tank Cover Latch
2. Rear Wheels
3. Exhaust/Blower Port
4. Front Lower Hand Grip
5. Wheels
6. Hose Port
7. Power Cable Storage
8. Tank Cover
9. Top Handle
10. Hose- With Rubber Power Tool Connector
11. Automatic start power socket.

Power	1.200 W
Connected power tool max load	2.200 W
Total connected load (vacuum cleaner plus connected tool)	3.400 W
Airflow, max	4000 L/min (141 cu. ft./min)
Suction, max	17.5kPa
Dust Capacity	75L
Weight	20 kg
Sound pressure level	L _{pa} 81
Acoustic power level	L _{wa} 92
K=1.5m/s ² ah m/s ²	< 2,5

SAFETY INSTRUCTIONS



READ ALL INSTRUCTIONS BEFORE USING THIS DEVICE.

To reduce the risk of fire, electric shock, or injury:

- 1.- Do not leave this device unattended when plugged in. Unplug when not in use and before servicing.
- 2.- To reduce the risk of electric shock. Do not expose to rain or immerse in water. Store indoors.
- 3.- Do not allow to be used as a toy. Careful attention is necessary when used by or near children or animals.
- 4.- Use only as described in this manual. Use only manufacturer recommended attachments.
- 5.- Do not use with a damaged power supply cord or plug. If the device is not working properly, has been dropped, damaged, left outdoors, or immersed in or dropped into water, bring it to a service center.
- 6.- Do not pull or carry by the power supply cord, use the power supply cord as a handle, close a door on power cord, or pull power cord around sharp edges or corners. Keep power cord away from heated surfaces.
- 7.- Do not unplug by pulling on power cord. To unplug, grab the plug, not the cord.
- 8.- Do not handle plug or appliance with wet hands.

9.- Do not use the device with any opening blocked; keep openings free of solid objects or anything that will impede airflow.

10.- Keep hair, loose clothing, fingers, and all parts of body away from openings and moving parts.

11.- Turn off switch before unplugging.

12.- Use extra care when operating on stairs.

13.- Do not use this machine to vacuum flammable liquids, or vacuum in areas where these may be present.

14.-Connect to a properly grounded outlet only. See Grounding Instructions.

15.- Do not vacuum anything that is burning or smoking, such as cigarettes, matches, or hot ashes. Do not use this device to extract flammable or explosive dusts (such as magnesium, aluminum, etc.). **RISK OF EXPLOSION!**

16.- Do not use to vacuum up caustic or corrosive liquids (e.g. acids, alkalis, solvents).

17.- Protect the power cord against heat, oil and sharp edges.

18.- Check the plug and power cord regularly and have them replaced by a qualified technician if damaged.

19.-Use only approved accessories.



Use masks, helmets and glasses.

GROUNDING INSTRUCTIONS



This appliance must be grounded. If it should malfunction or break down while in use, grounding provides a path of least resistance for the electric current and reduces the risk of electric shock to the operator.

This appliance has a power cord with equipment-grounding conductor and grounding plug. The plug must be inserted into an appropriate outlet that is properly installed and grounded in accordance with all local codes and ordinances.

Improper connection of the equipment-grounding conductor can result in a risk of electric shock. Check with a qualified electrician or service person if you are in doubt as to whether the outlet is properly grounded.

Do not modify the plug provided with the machine. If it will not fit the outlet, have a proper outlet installed by a qualified electrician. Various dust created by power sanding, sawing, grinding, drilling and other construction activities contains chemicals known to cause cancer, birth defects or other reproductive harm.

Some examples of these chemicals are:

Lead from lead-based paints, crystalline silica from bricks and cement and other masonry products, and arsenic and chromium from chemically-treated lumber. The risk from these exposures varies, depending on how often you do this type of work.

To reduce your exposure to these chemicals: work in a well ventilated area, and work with approved safety equipment, such as dust masks that are specially designed to filter out microscopic particles.

INTENDED USE

This vacuum cleaner is primarily designed to operate in conjunction with power tools which require dust extraction, such as sanders, saws, wall chasers, scouring machines, etc. This machine extracts nondangerous dusts, dirt, shavings etc.

This machine may also be used to vacuum water and other non-flammable and non corrosive liquids.

The end user/operator is solely responsible for any damage or accident should the machine be used for any use other than its intended purpose.

PREPARATION AND INITIAL OPERATION

Electrical connection.

The operating voltage shown on the rating plate must correspond to the voltage of the power supply. Make sure that the vacuum cleaner is switched off when you plug the power supply.



This machine must ALWAYS be plugged into a properly grounded outlet. NEVER operate the machine if it is not grounded. This will result in a static electrical build-up which will destroy the machine's electronic components.

ASSEMBLY

Follow the sequences in Figures 2 and 3.

OPERATION

Follow the sequence shown in figure 4. You can use the suction brush held by your hands (fig 4.1) or attached by the machine (fig 4.3).

SWITCH MODES: ON/OFF

This machine has a multi-mode On/Off Switch. In position "OFF" the vacuum cleaner is switched off but there is always current to the Integrated Switching Appliance Socket.

Different modes of operation are possible:

1.- SWITCH POSITION "MANUAL": The cleaner motor starts immediately and runs continuously.

2.- SWITCH POSITION "AUTO -AC": The Integrated Switching Appliance Socket is live. The cleaner motor starts only when the tool connected to the appliance socket is switched on.

There is a 1 second delay in the vacuum starting (to avoid tripping the circuit breaker) and a 10 second delay in shutting off (to clear the hose of dust) followed by a cycle of the filter shaker.

Before turning the switch to the "AUTO -AC" position, ensure that the tool connected to the appliance socket is switched off.

Observe the maximum connected load of 2200W for the Integrated Switching Appliance Socket.

Automatic Filter Shaker Function.

This machine is equipped with an automatic electromagnetic filter shaker device. It operates automatically with a cycle every 20 seconds to shake accumulated dust from the Diaphragm Filter. It will also cycle when the switch is switched off (both in manual and automatic modes) It is fully automatic and only operates when the Diaphragm Filter is in place. When it engages, there will be a slight noise. This noise is normal and does not indicate any malfunction of the machine. To minimize noise, always install the Diaphragm Filter with the exposed metal side of the anvil facing downwards.

EMPTYING THE DEPOSIT

Follow the sequence in figure 5.

If liquid was sucked use pipe 10 (fig 5.2) to empty by gravity.

MAINTENANCE

Follow the sequence in figure 6.

You can use water (fig.6.3) to clean the filter.

Vacuum dry media



Not suitable to vacuum hazardous or toxic substances such as asbestos. The filters may not be able to capture all particles and may exhaust them back into the environment.

Before using the vacuum cleaner to extract dry materials, the machine must set up in a dry vacuuming configuration.

The pair of Main Pleated Filters must always be in place. The Filter bag and Diaphragm Filters must both be mounted at all times.

Note: It is not recommended to dry vacuum when there is liquid in the tank or if the tank and filters are still wet. Severe caking of dust and possible damage will occur.

Whenever transitioning from wet to dry vacuuming, ensure the entire tank and filter system is clean and dry. If it is necessary to transition often between dry and wet vacuuming, it is best to have 2 sets of first stage and main filters.

Vacuuming liquids.

Never attempt to vacuum flammable or corrosive liquids!



CAUTION: Never begin wet vacuuming when there is dry dust in the tank. Severe caking of dust and possible damage to the machine may occur. Always clean the tank before beginning.

DECLARATION OF CONFORMITY

We declare under our sole responsibility that the product described under "Technical Data" is in conformity with the following standards or standardization documents:
EN60335-2-69: 1998 according to the provisions of the directives 2006/42/CE, 2014/30/EU, 2011/65/EU



CE  **ROHS**
Ramiro de la Fuente
Director Manager

January 2017



STAYER

Área Empresarial Andalucía - Sector 1
C/ Sierra de Cazorla, 7
28320 - Pinto (Madrid) SPAIN
Email: sales@grupostayer.com
Email: info@grupostayer.com



www.grupostayer.com